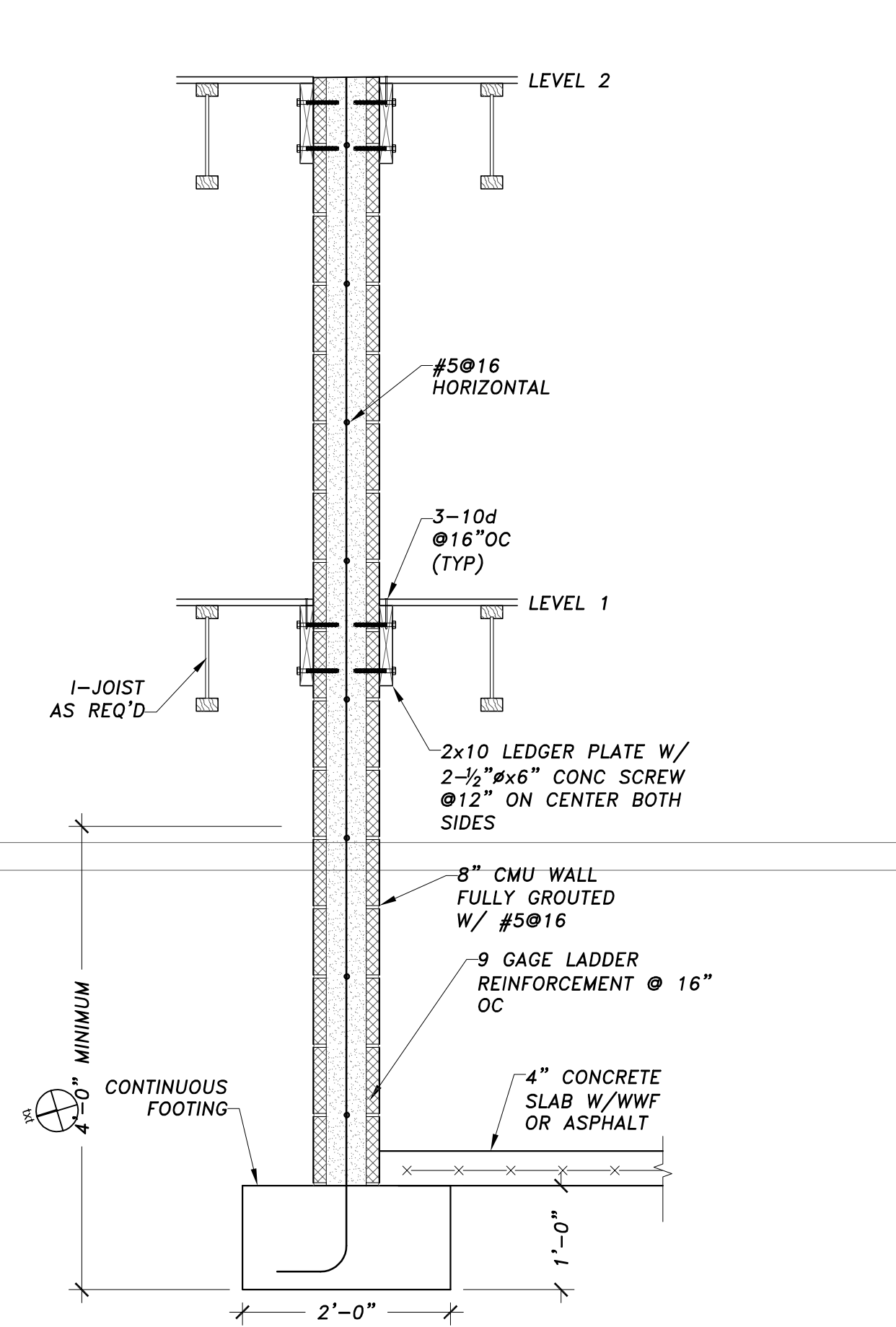


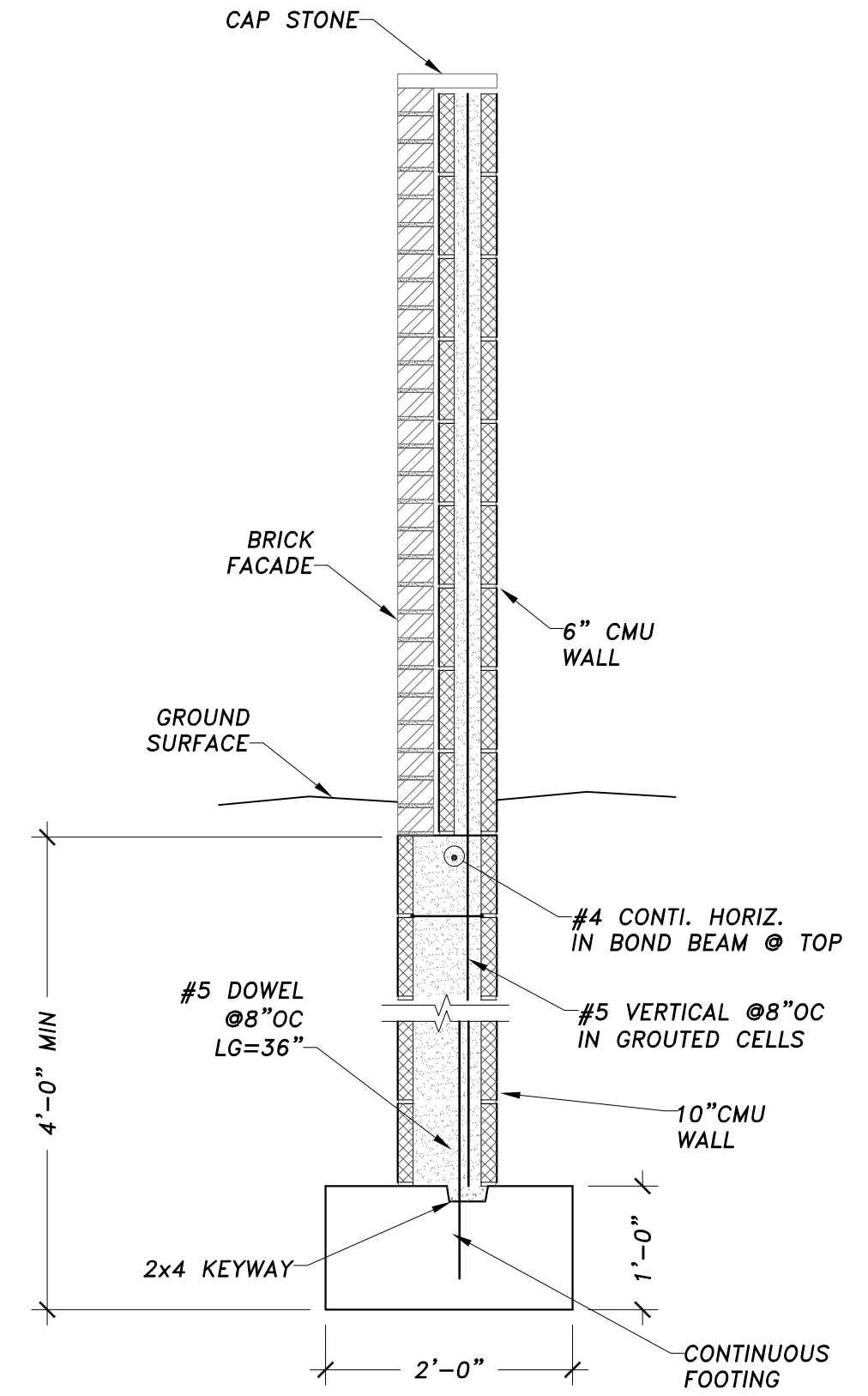
**FOUNDATION**  
Scale: 1/4" = 1'-0"

**UNDERPINNING NOTE**

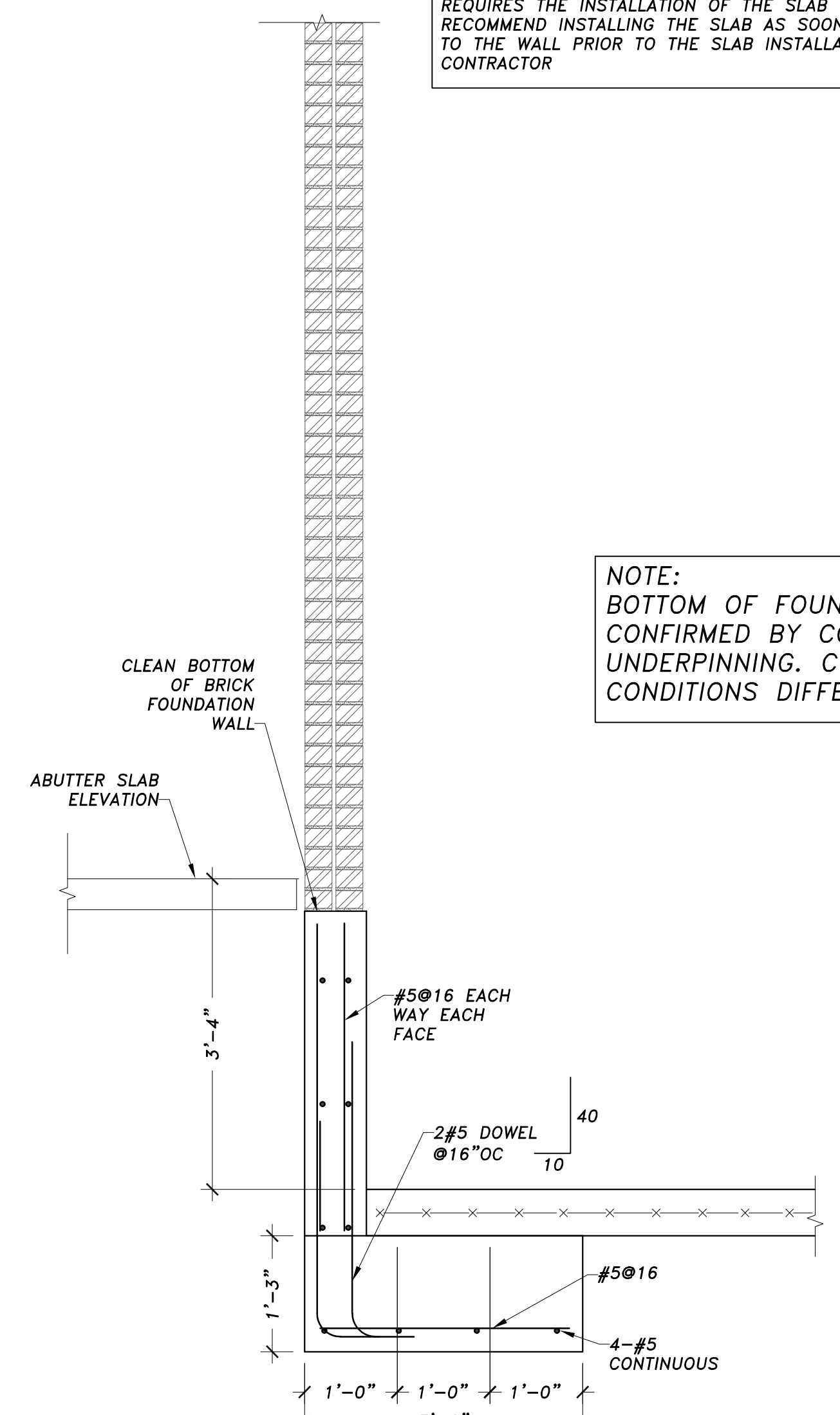
BASEMENT UNDERPINNING WORK TEMPORARILY UNDERMINES THE FOUNDATION AND COULD LEAD TO FOUNDATION MOVEMENT IF DONE IMPROPERLY. CONTRACTOR IS RESPONSIBLE FOR MITIGATING THIS MOVEMENT AND ENSURING THAT THE FOUNDATION REMAINS IN A SAFE TEMPORARY CONDITION. DAVIDSON ENGINEERING RECOMMENDS A SEQUENCING PLAN FOR THE UNDERPINNING. ALL TEMPORARY EXCAVATIONS AND MEANS AND METHODS FOR THE BASEMENT UNDERPINNING IS THE RESPONSIBILITY OF THE CONTRACTOR. THIS DESIGN REQUIRES THE INSTALLATION OF THE SLAB TO BE FULLY STABLE IN THE FINAL CONDITION. THEREFORE, WE RECOMMEND INSTALLING THE SLAB AS SOON AS POSSIBLE, AND INSTALLING TEMPORARY LATERAL BRACING TO THE WALL PRIOR TO THE SLAB INSTALLATION. THIS BRACING IS ALSO TO BE THE RESPONSIBILITY OF THE CONTRACTOR



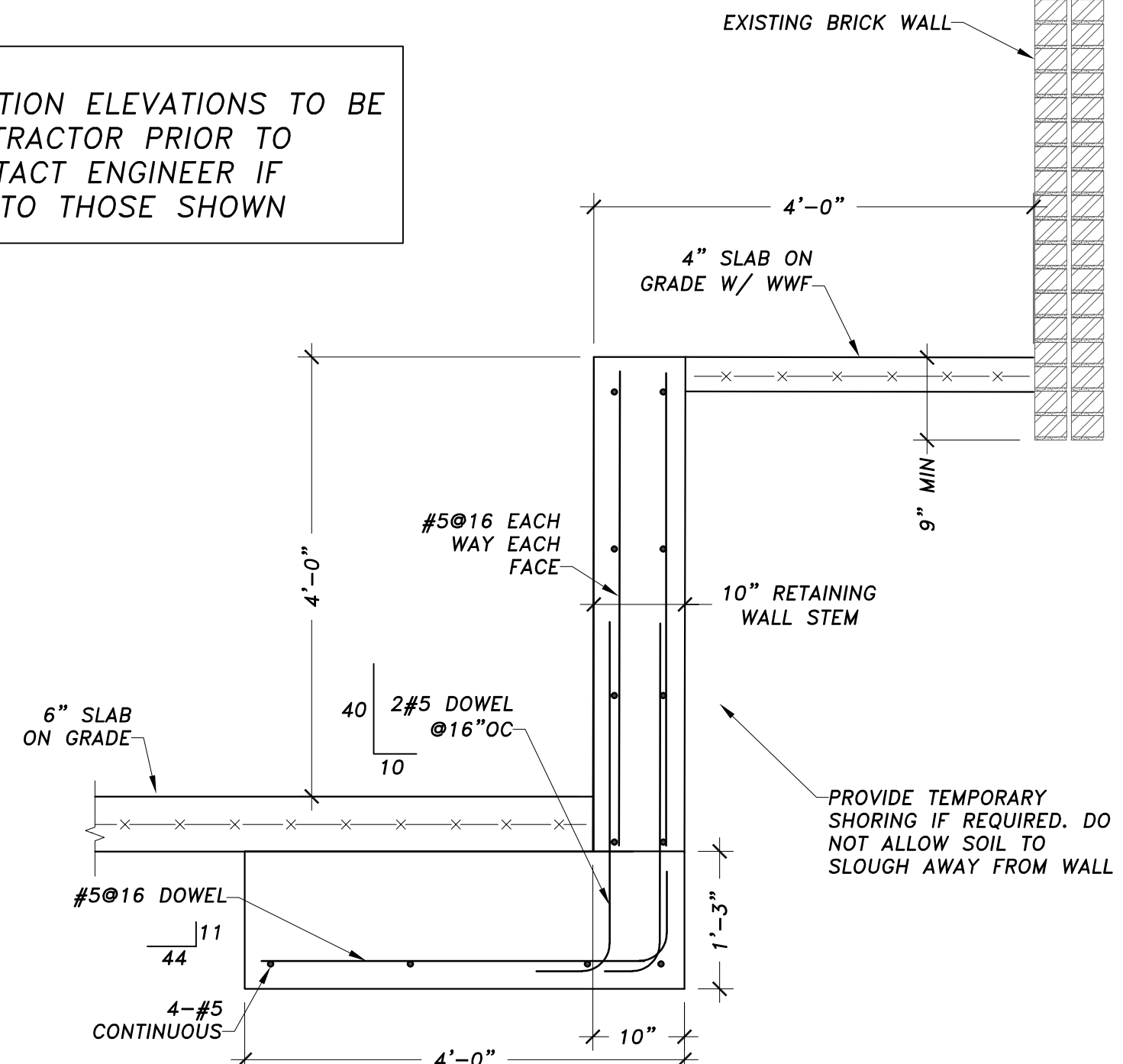
**3 FOUNDATION DETAIL**  
Scale: 3/4" = 1'-0"



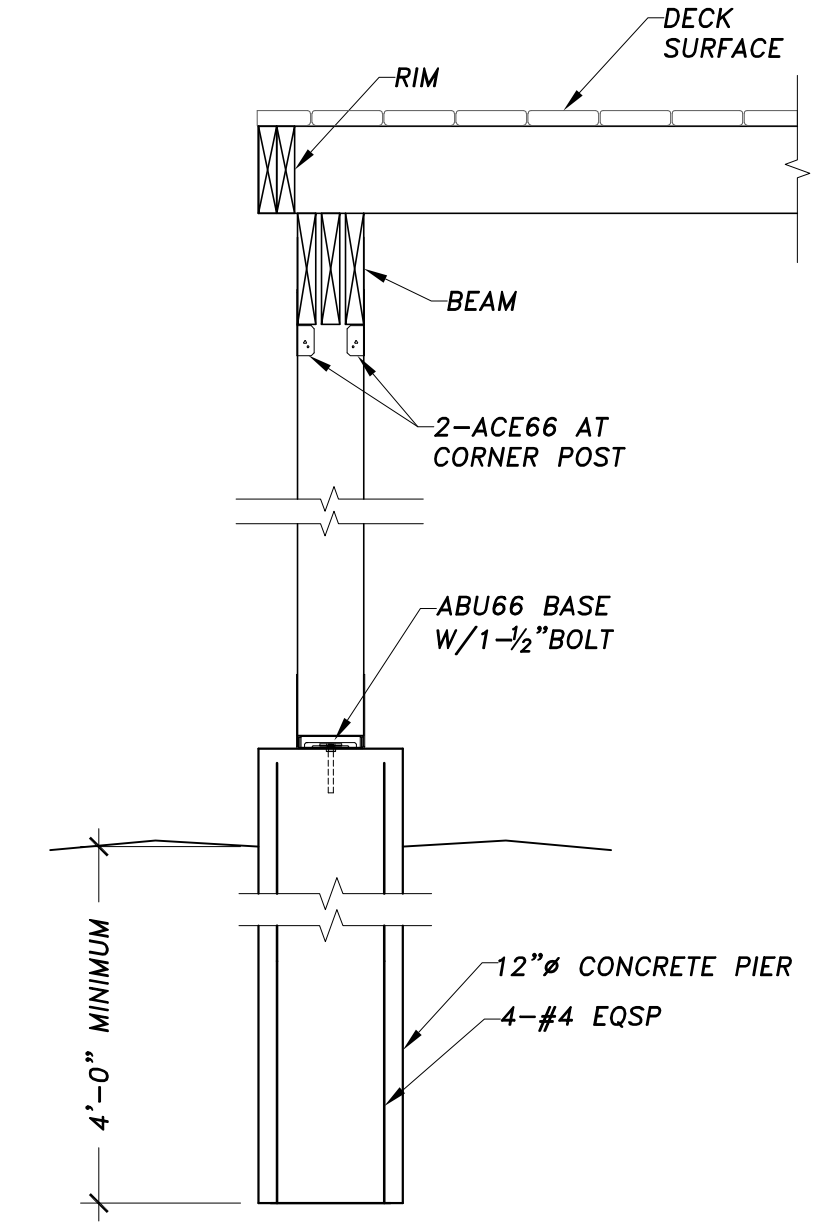
**6 SITE WALL**  
Scale: 3/4" = 1'-0"



**1 FOUNDATION DETAIL**  
Scale: 3/4" = 1'-0"



**2 FOUNDATION DETAIL**  
Scale: 3/4" = 1'-0"



**4 FOUNDATION DETAIL**  
Scale: 3/4" = 1'-0"

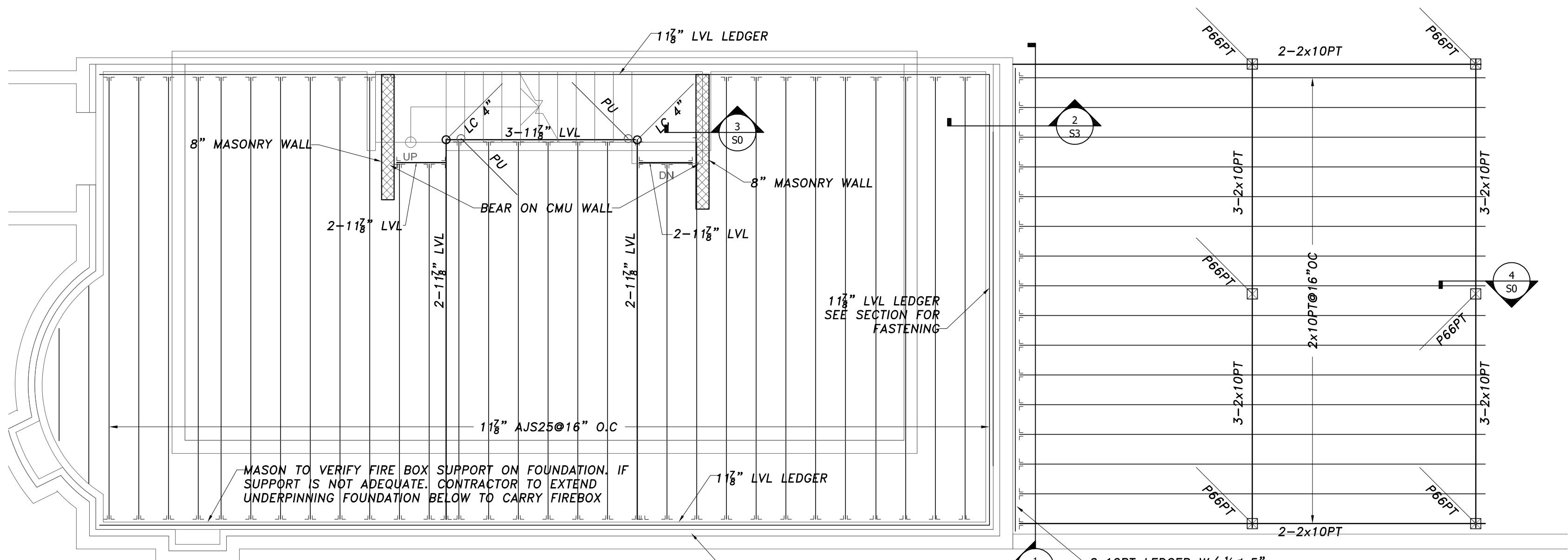
**LEGEND**

BW = BEARING WALL  
FVP = FLAT VALLEY PLATE  
(E) = EXISTING  
(N) = NEW  
TBR = TO BE REMOVED

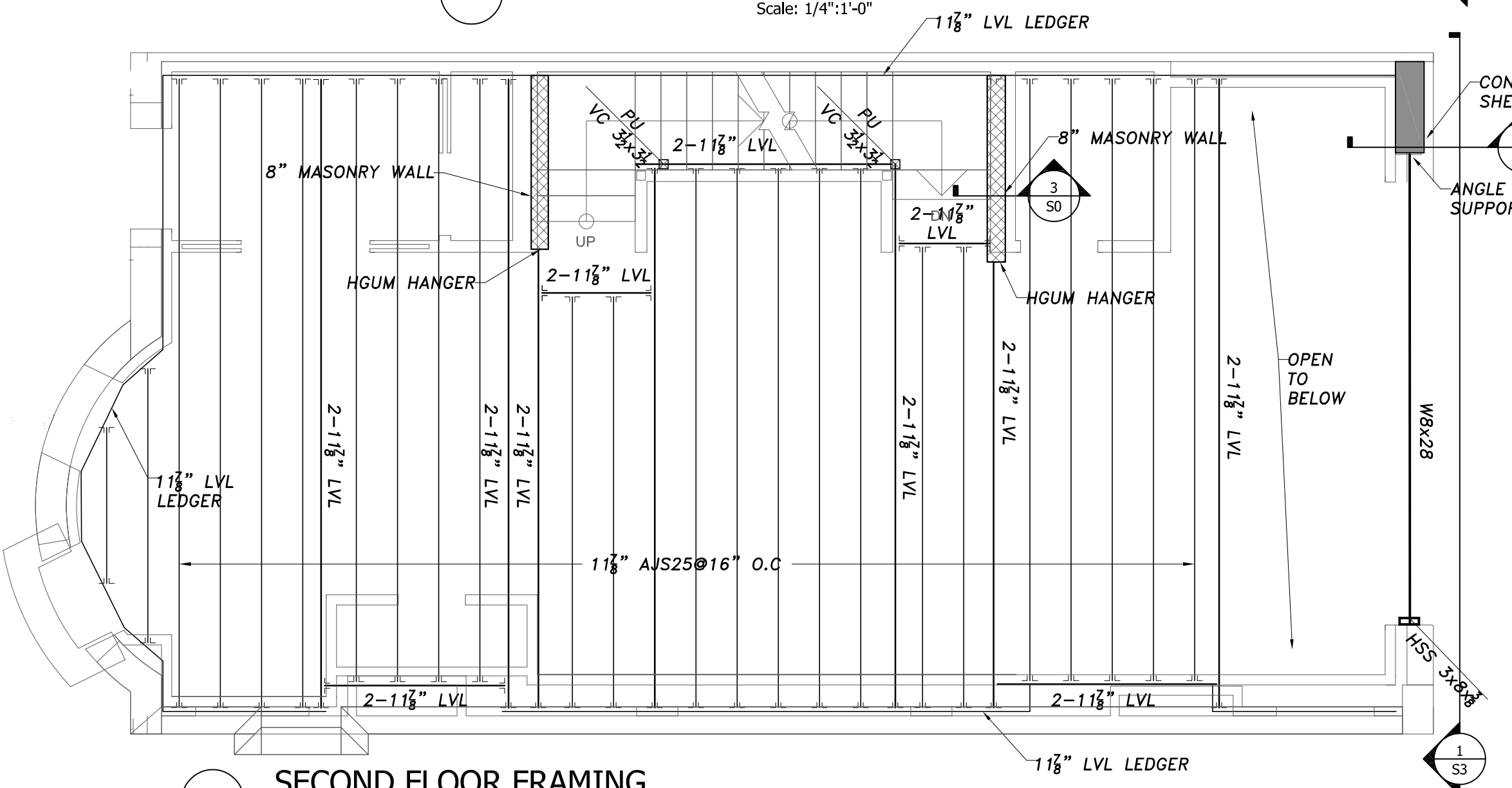
POST LOCATION: POST UP (ABOVE LINE), POST DOWN (BELOW LINE)

DIM. LUMBER POST: NUMBER OF STUDS, P3-26 SIZE OF STUD, TYPE OF POST: P-POST, J-JACK.

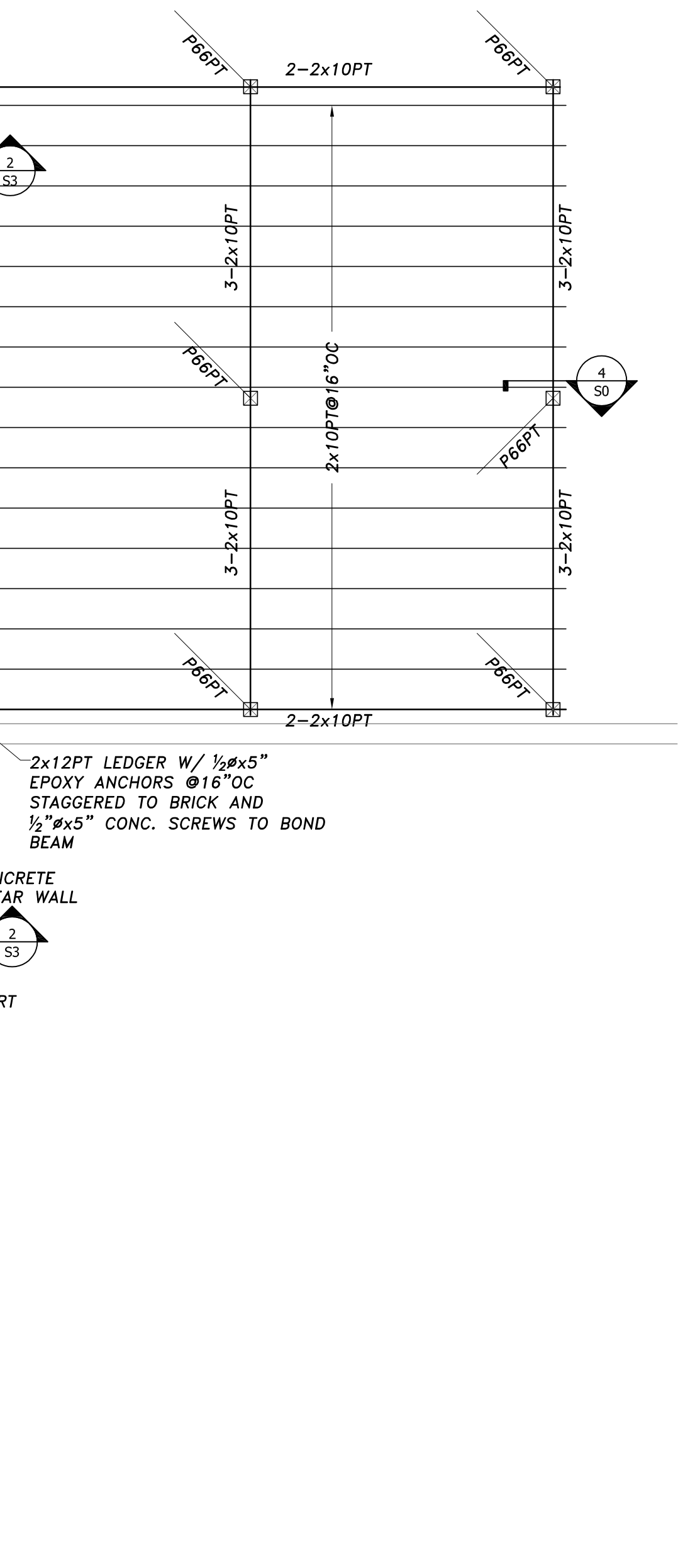
ENGINEERED POST: LC 3/4" SIZE, TYPE OF POST: VC-VERSA COLUMN, LC-LALLY COLUMN, HSS-TUBE STEEL



**FIRST FLOOR FRAMING**  
Scale: 1/4"=1'-0"

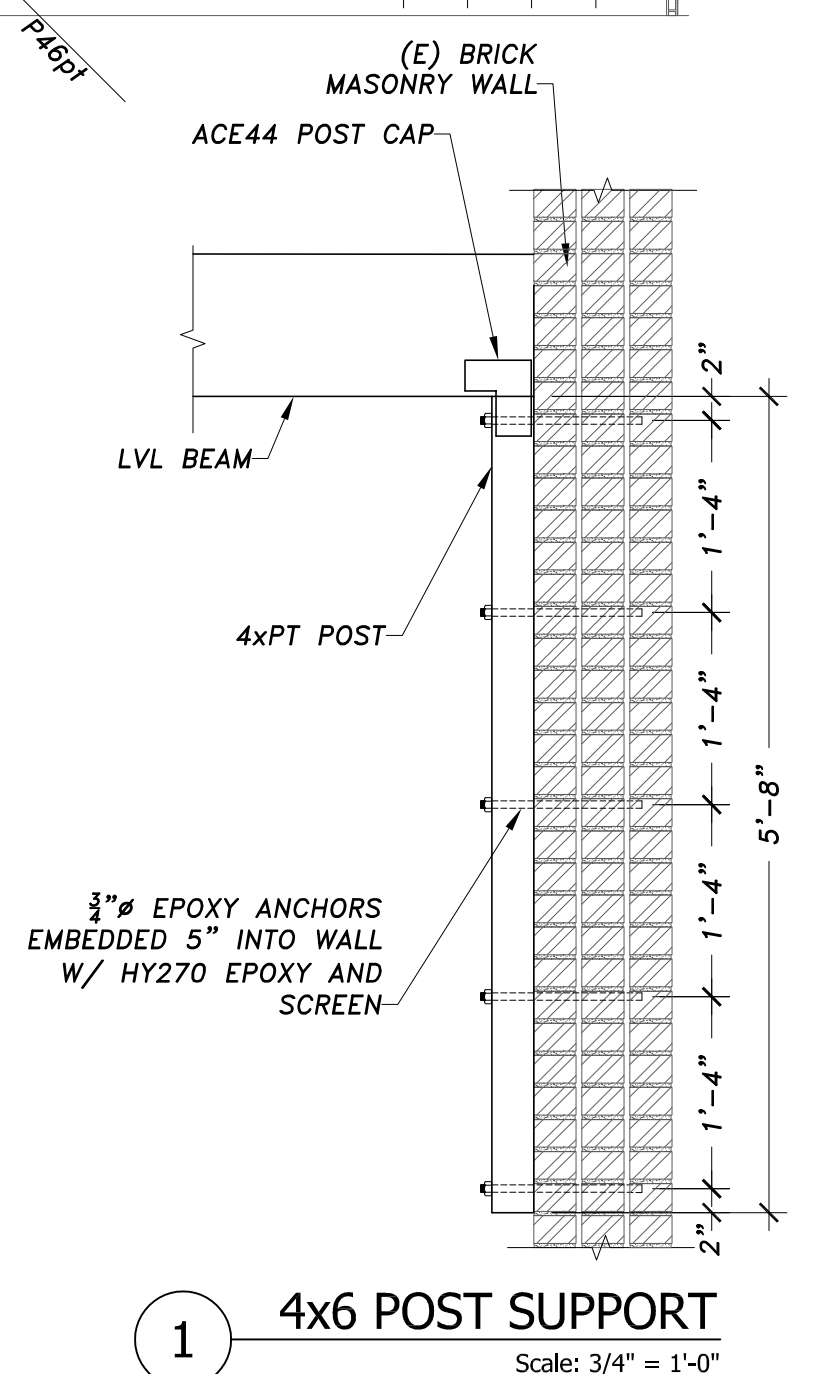
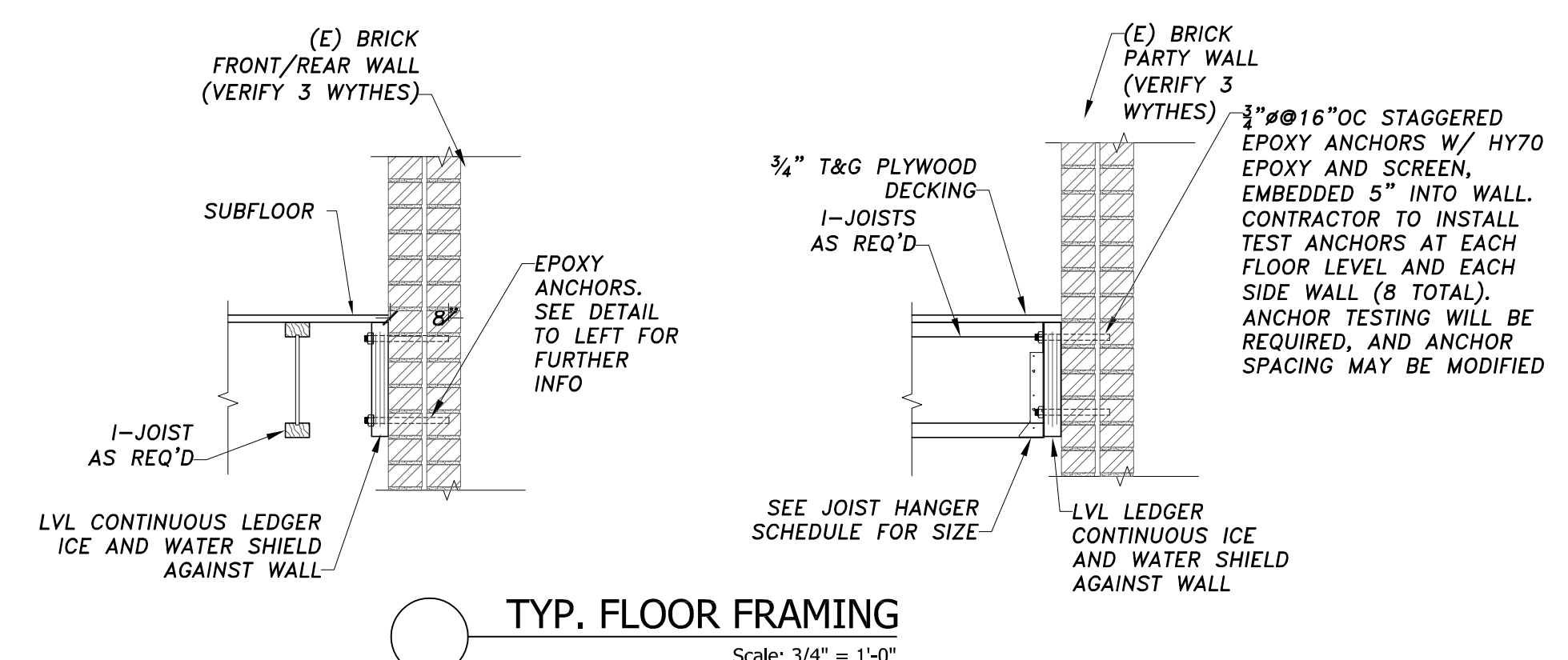
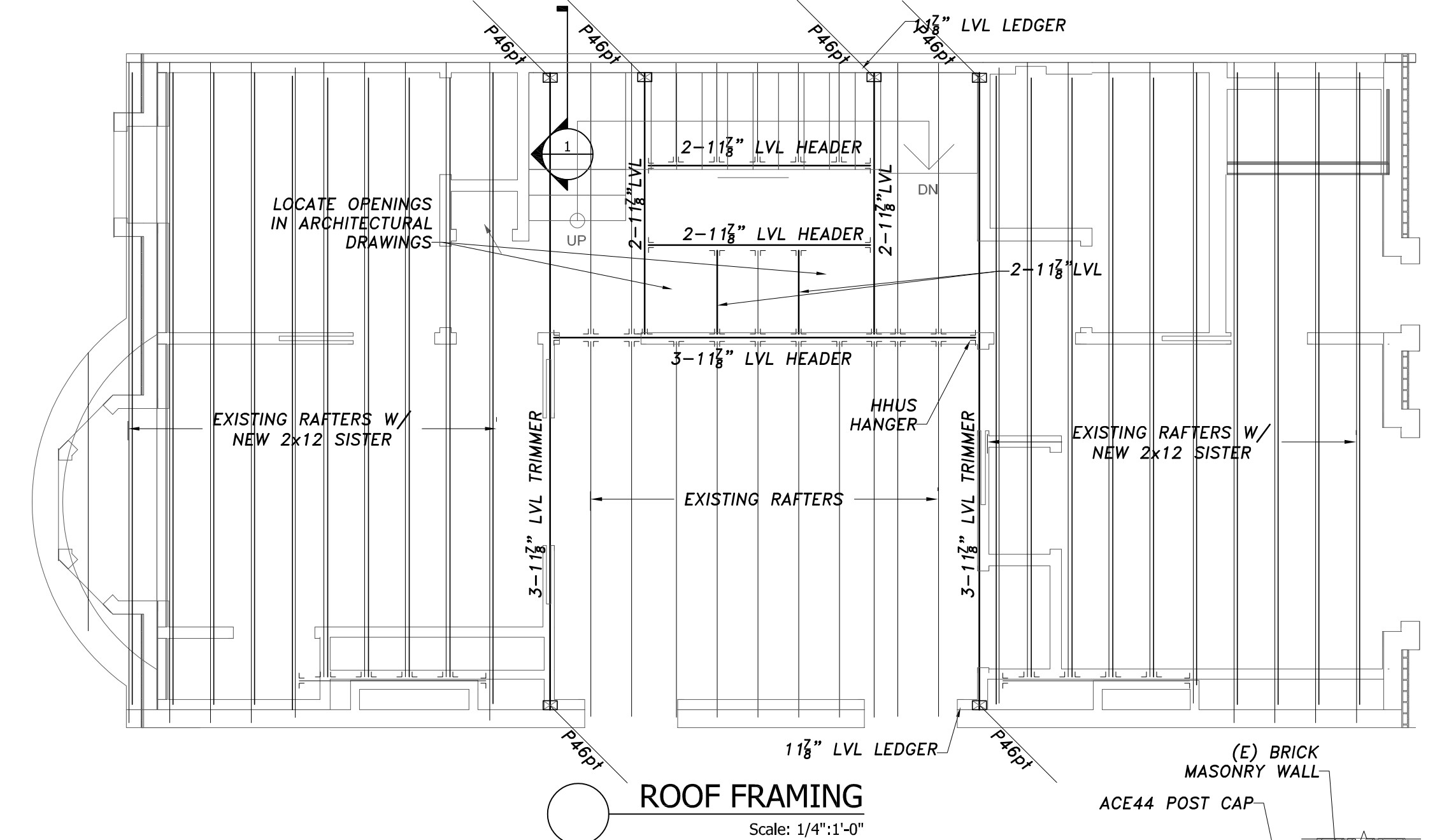
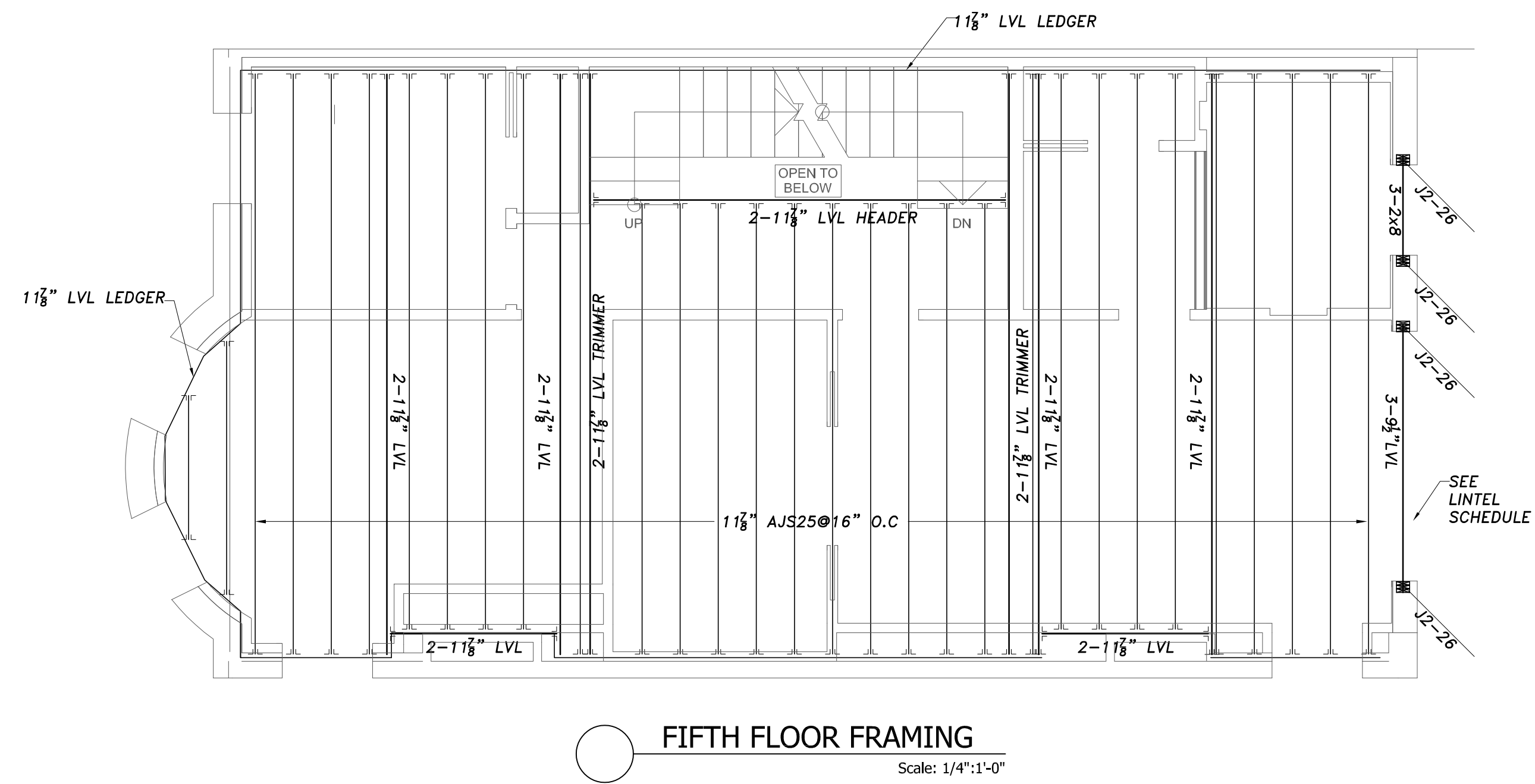
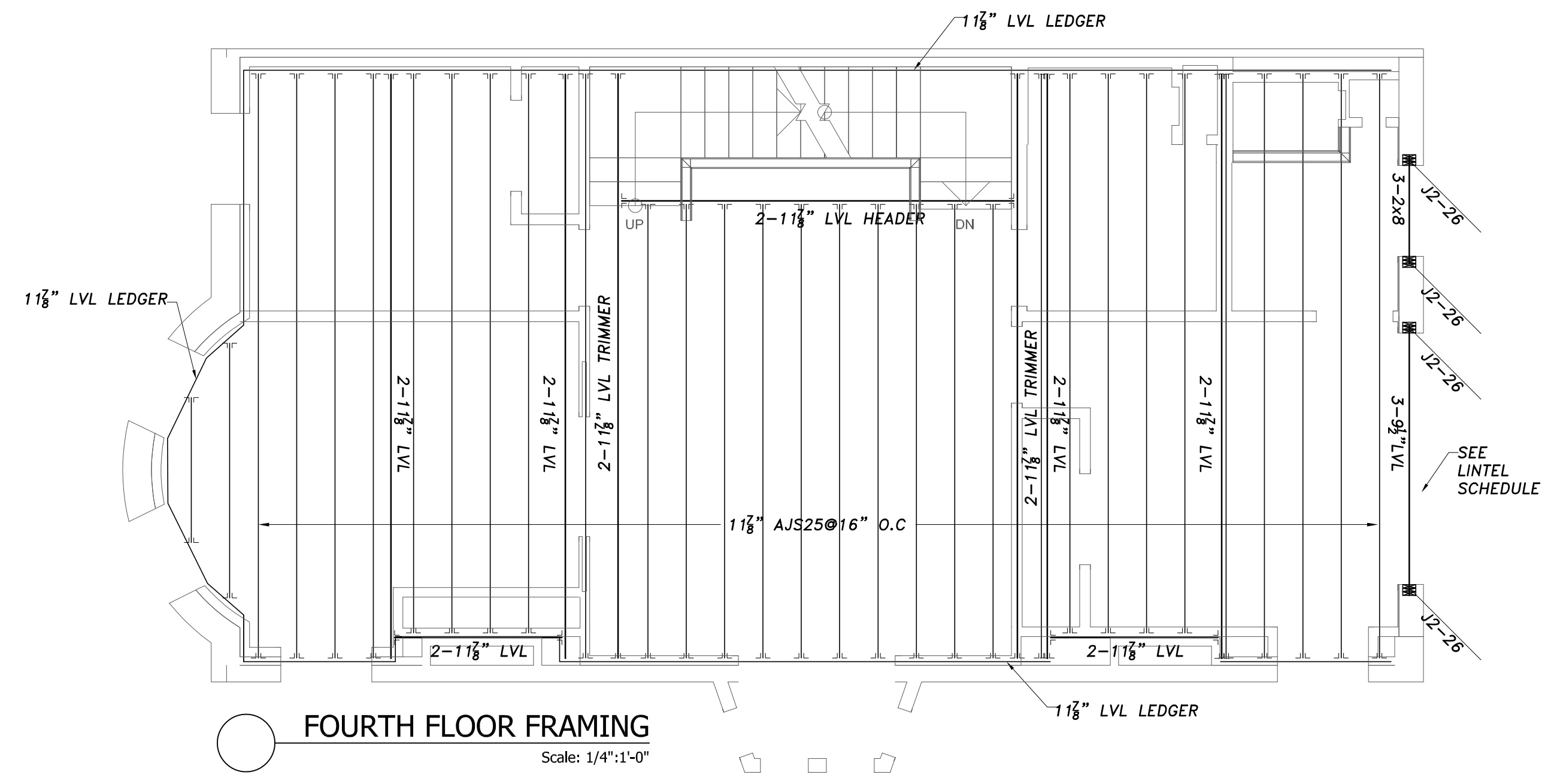
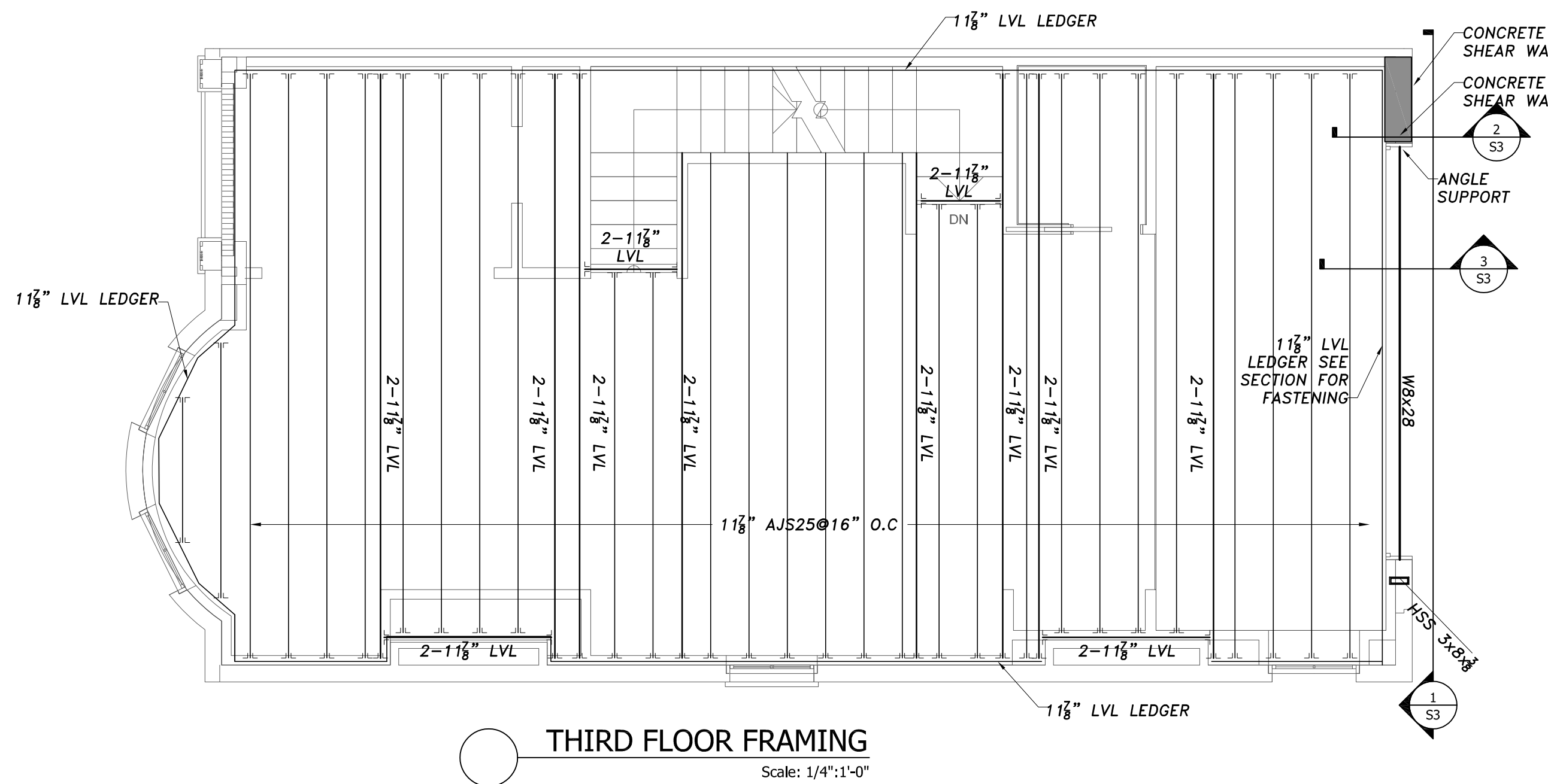


**SECOND FLOOR FRAMING**  
Scale: 1/4"=1'-0"



**LEGEND**

BW = BEARING WALL		
FVP = FLAT VALLEY PLATE		
(E) = EXISTING		
(N) = NEW		
TBR = TO BE REMOVED		
POST LOCATION	POST UP (ABOVE LINE)	POST DOWN (BELOW LINE)
DIM. LUMBER POST		
NUMBER OF STUDS		
P3-26	SIZE OF STUD	
TYPE OF POST: P-POST, J-JACK,		
ENGINEERED POST		
LC 3 1/2	SIZE	
TYPE OF POST: VC-VERSA COLUMN, LC-LALLY COLUMN, HSS-TUBE STEEL		



**LEGEND**

BW = BEARING WALL  
 FVP = FLAT VALLEY PLATE  
 (E) = EXISTING  
 (N) = NEW  
 TBR = TO BE REMOVED

**POST LOCATION**

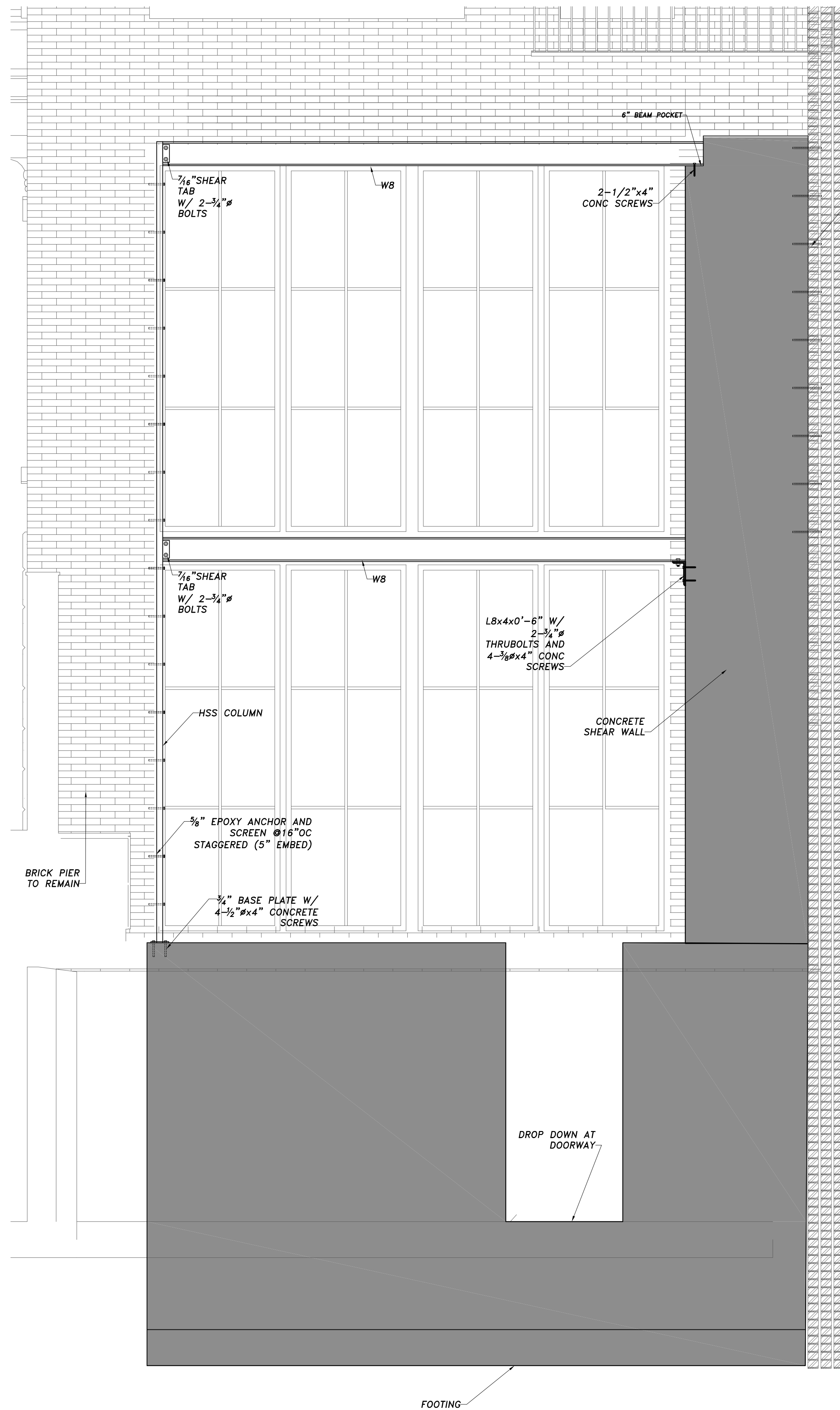
POST UP (ABOVE LINE)  
 POST DOWN (BELOW LINE)

**DIM. LUMBER POST**

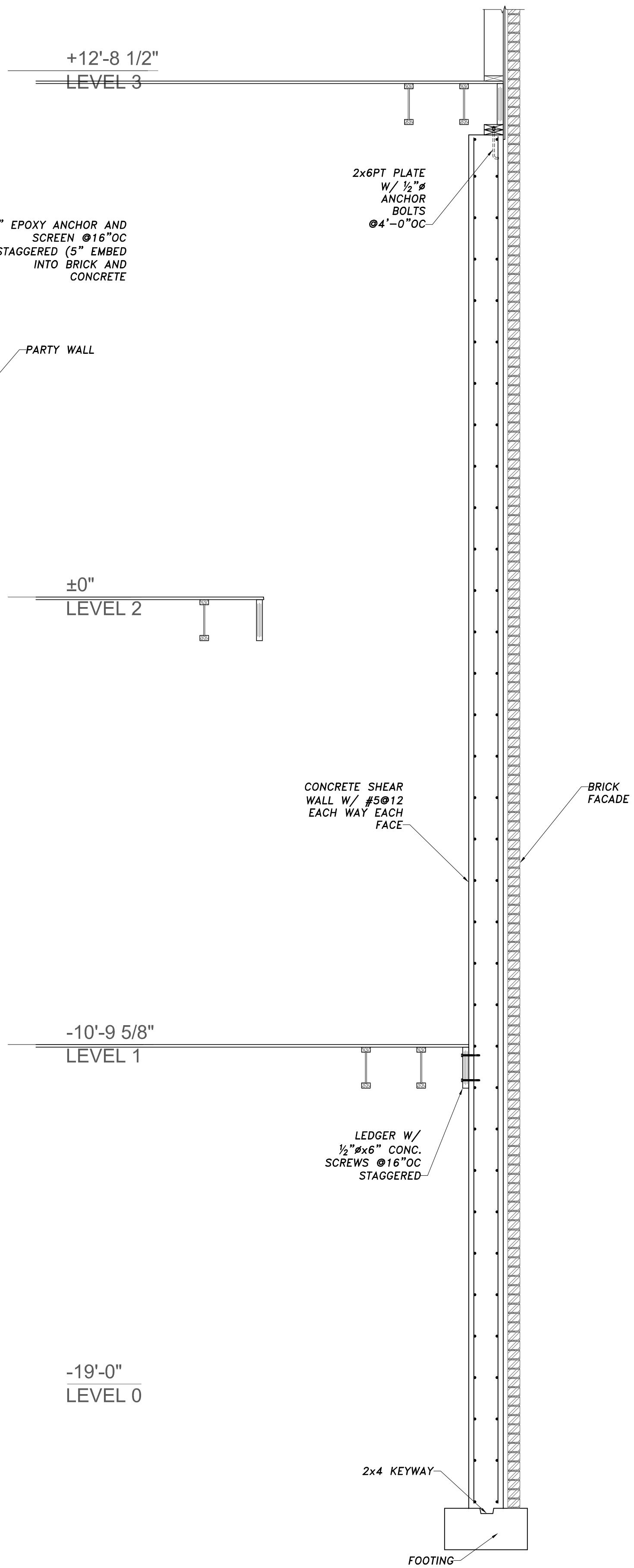
NUMBER OF STUDS  
 P3-26 SIZE OF STUD  
 TYPE OF POST: P-POST, J-JACK,

**ENGINEERED POST**

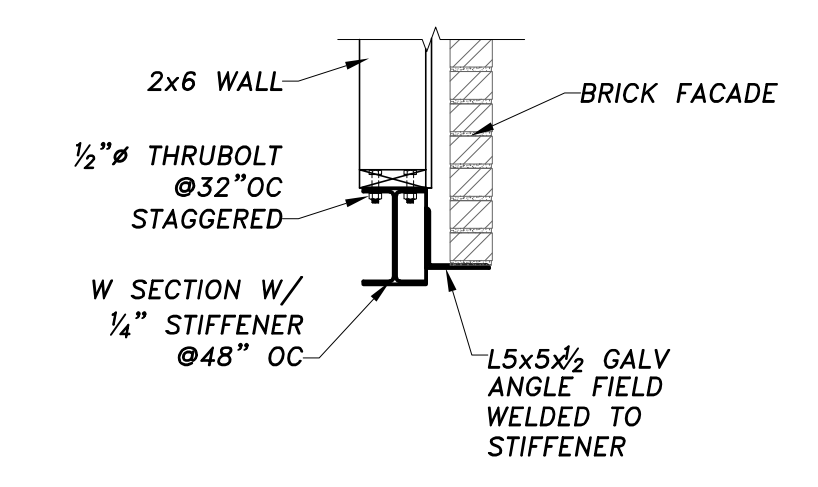
LC 3/2" SIZE  
 TYPE OF POST: VC-VERSA COLUMN, LC-LALLY COLUMN, HSS-TUBE STEEL



1 REAR WALL ELEVATION  
Scale: 1/2"=1'-0"



2 REAR WALL SECTION  
Scale: 1/2"=1'-0"



3 BEAM SECTION  
Scale: 3/4"=1'-0"

**LEGEND**

BW = BEARING WALL  
 FVP = FLAT VALLEY PLATE  
 (E) = EXISTING  
 (N) = NEW  
 TBR = TO BE REMOVED

POST LOCATION  
 POST UP (ABOVE LINE)  
 POST DOWN (BELOW LINE)

DIM. LUMBER POST  
 NUMBER OF STUDS  
 P3-26 SIZE OF STUD  
 TYPE OF POST: P-POST, J-JACK,

ENGINEERED POST  
 LC 3/2 SIZE  
 TYPE OF POST: VC-VERSA COLUMN, LC-LALLY COLUMN, HSS-TUBE STEEL