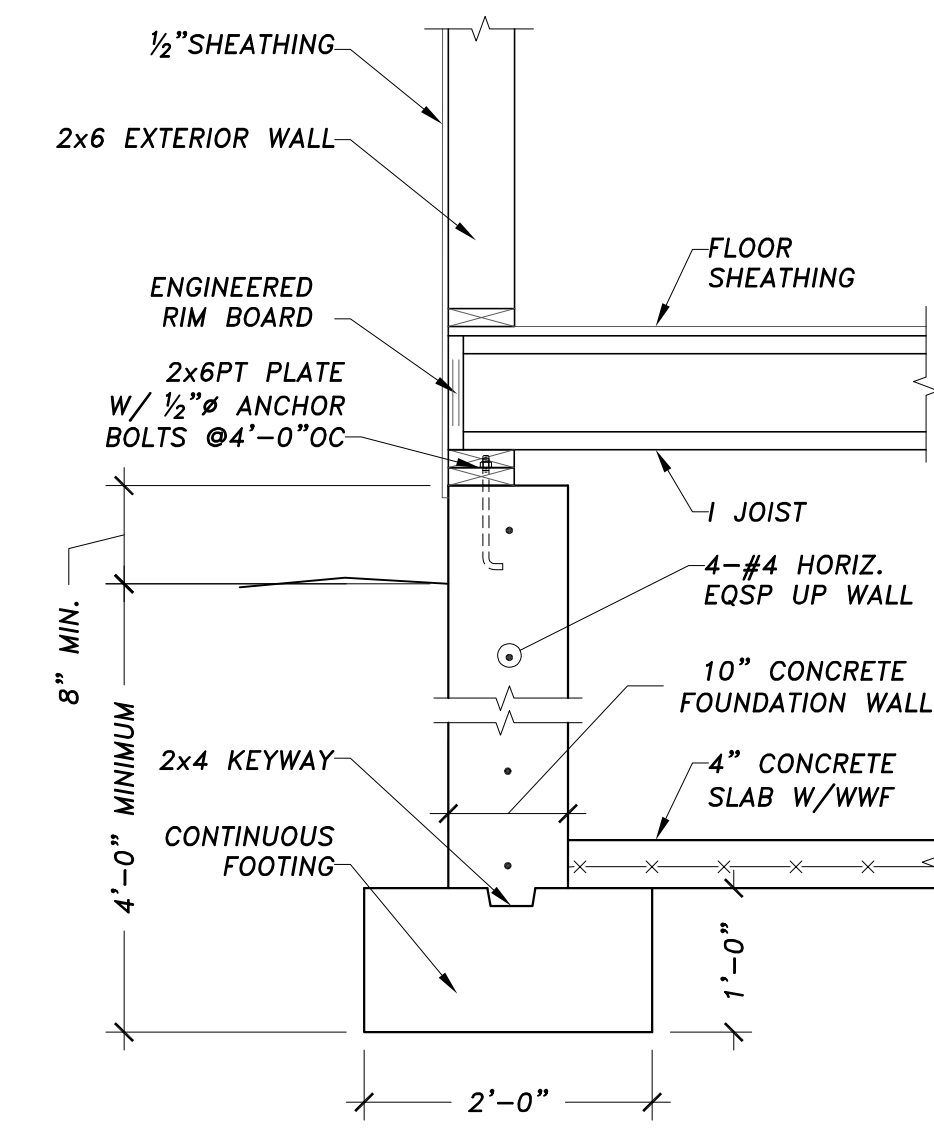
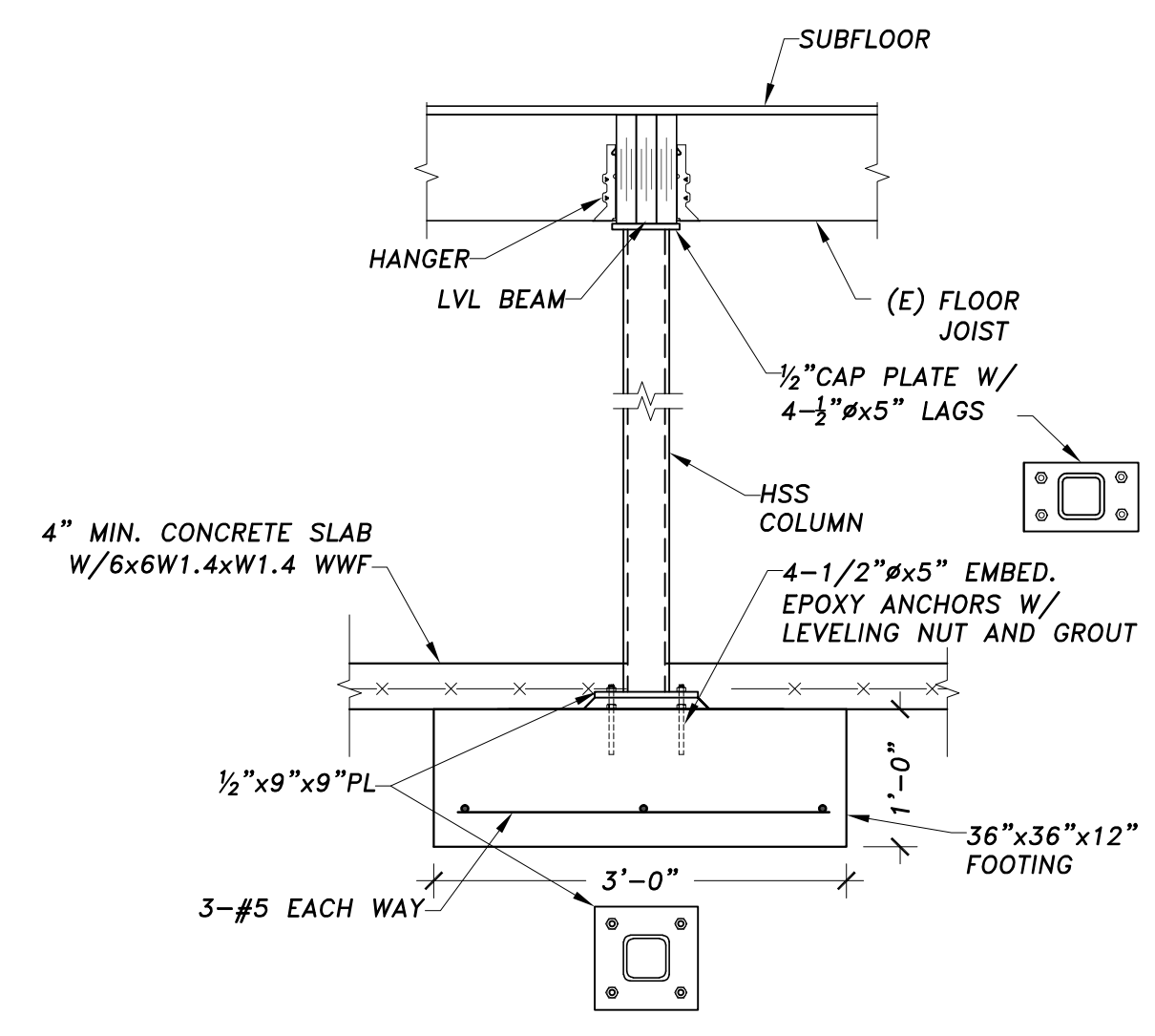


FOUNDATION NOTES:
 1. ALL FOUNDATION DIMENSIONS AND ELEVATIONS TO BE VERIFIED WITH SITE CONDITIONS AND ARCHITECTURAL DRAWINGS.
 2. DOWEL NEW FOUNDATION TO EXISTING WITH #4 BARS @24"OC, LENGTH = 16".

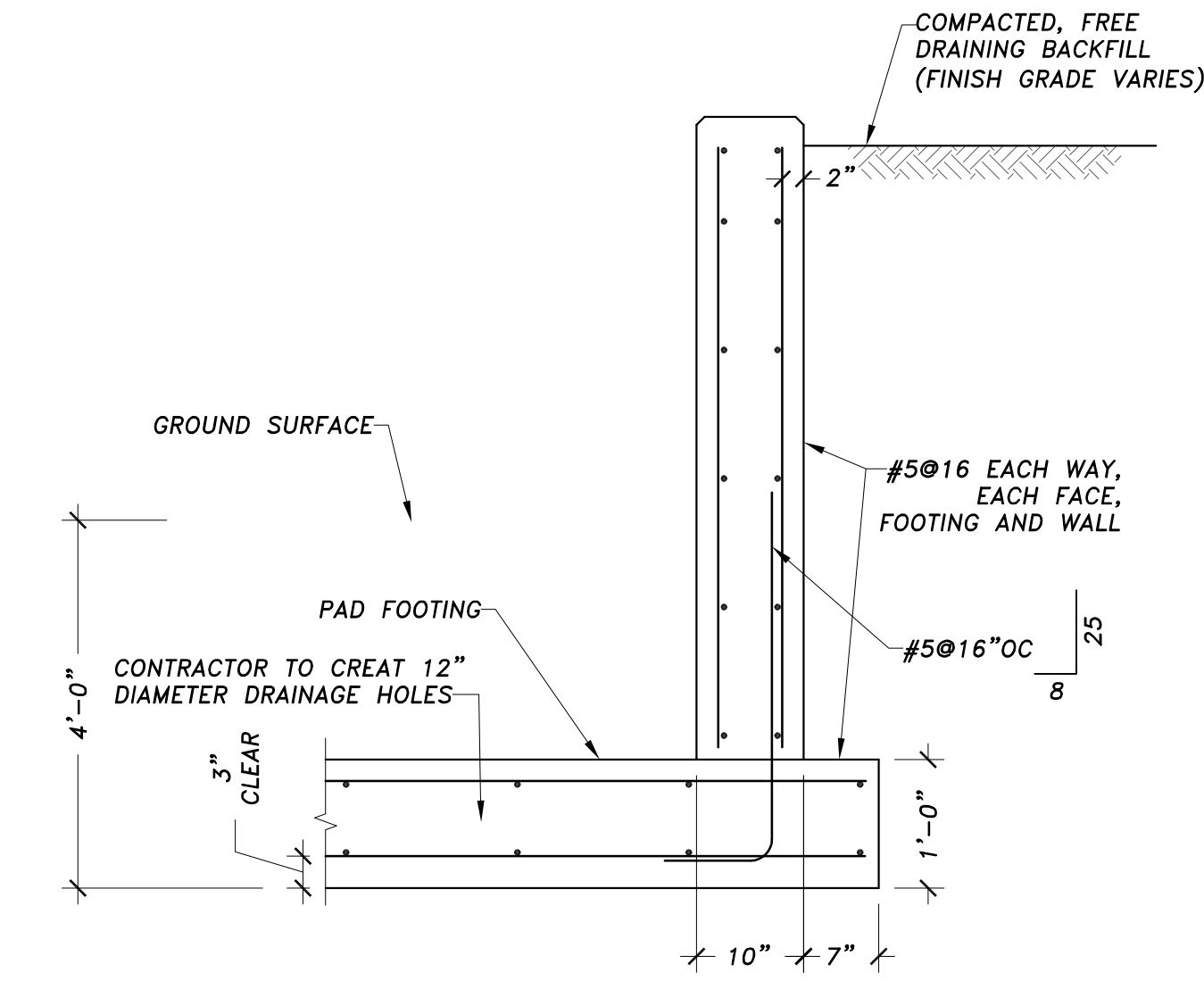
FOUNDATION
 Scale: 3/4"=1'-0"



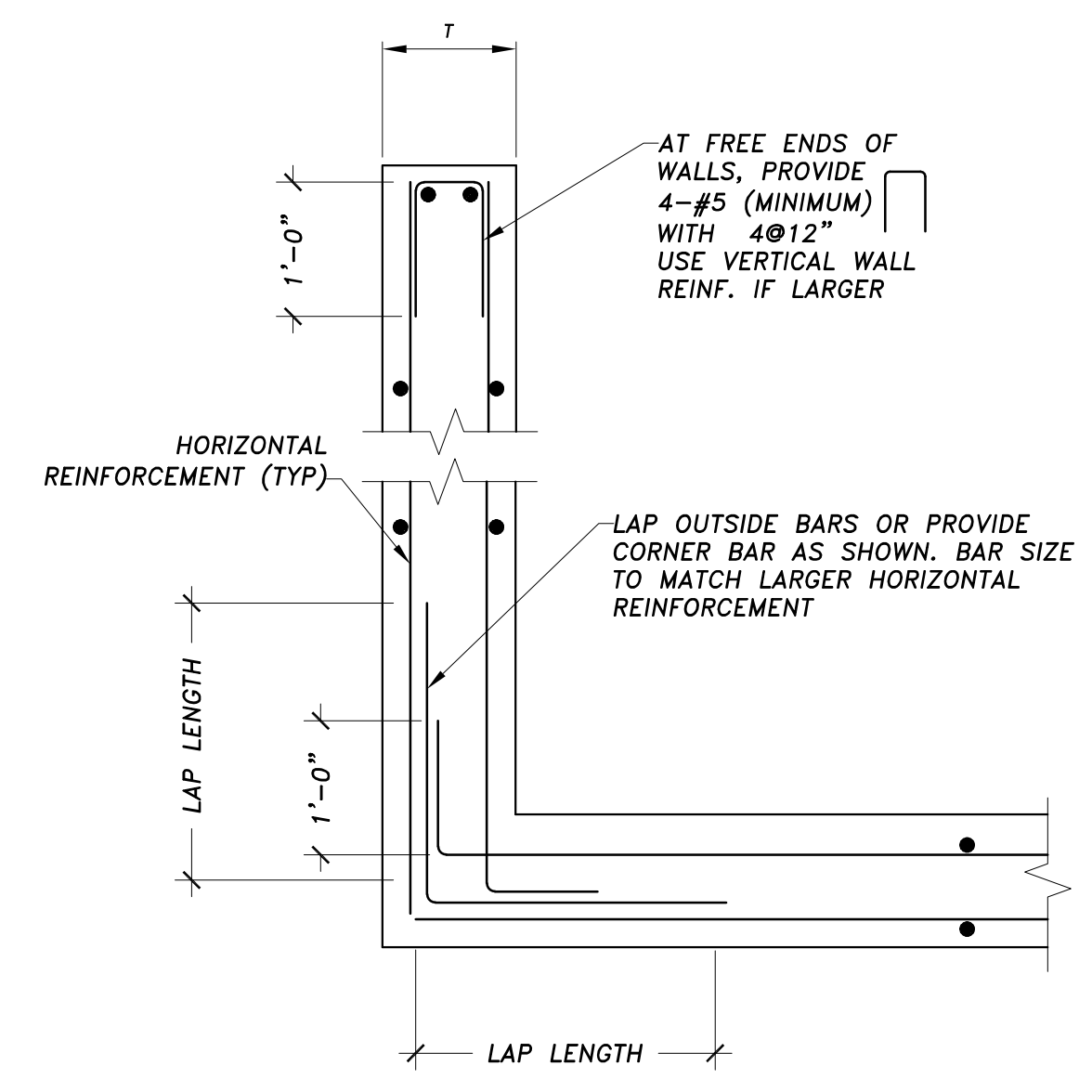
1 FOUNDATION DETAIL
 Scale: 3/4"=1'-0"



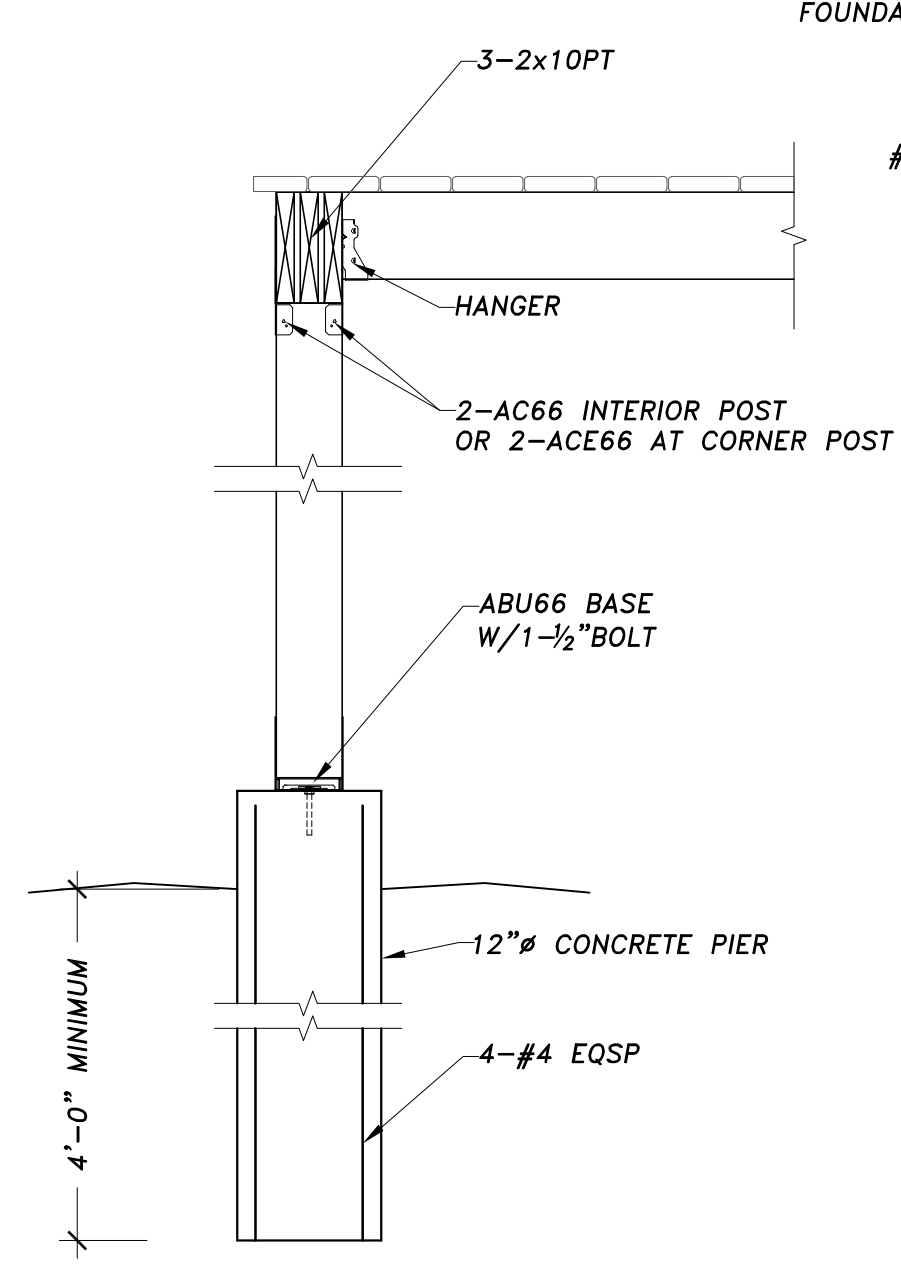
2 HSS FOOTING DETAIL
 Scale: 1/4"=1'-0"



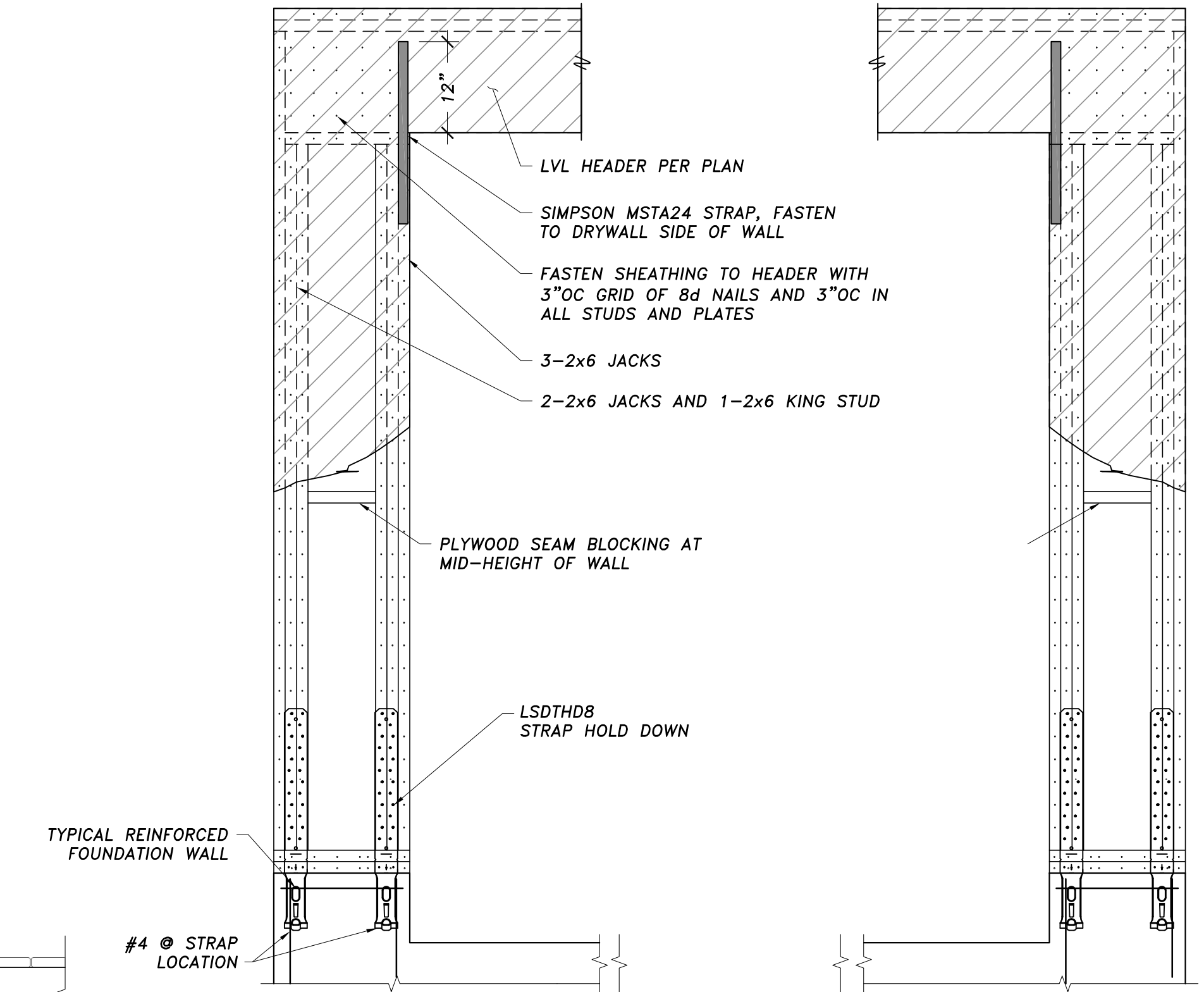
3 AREAWAY DETAIL
 3/4"=1'-0"



TYPICAL HORIZONTAL WALL REINFORCEMENT
 Scale: 3/4"=1'-0"



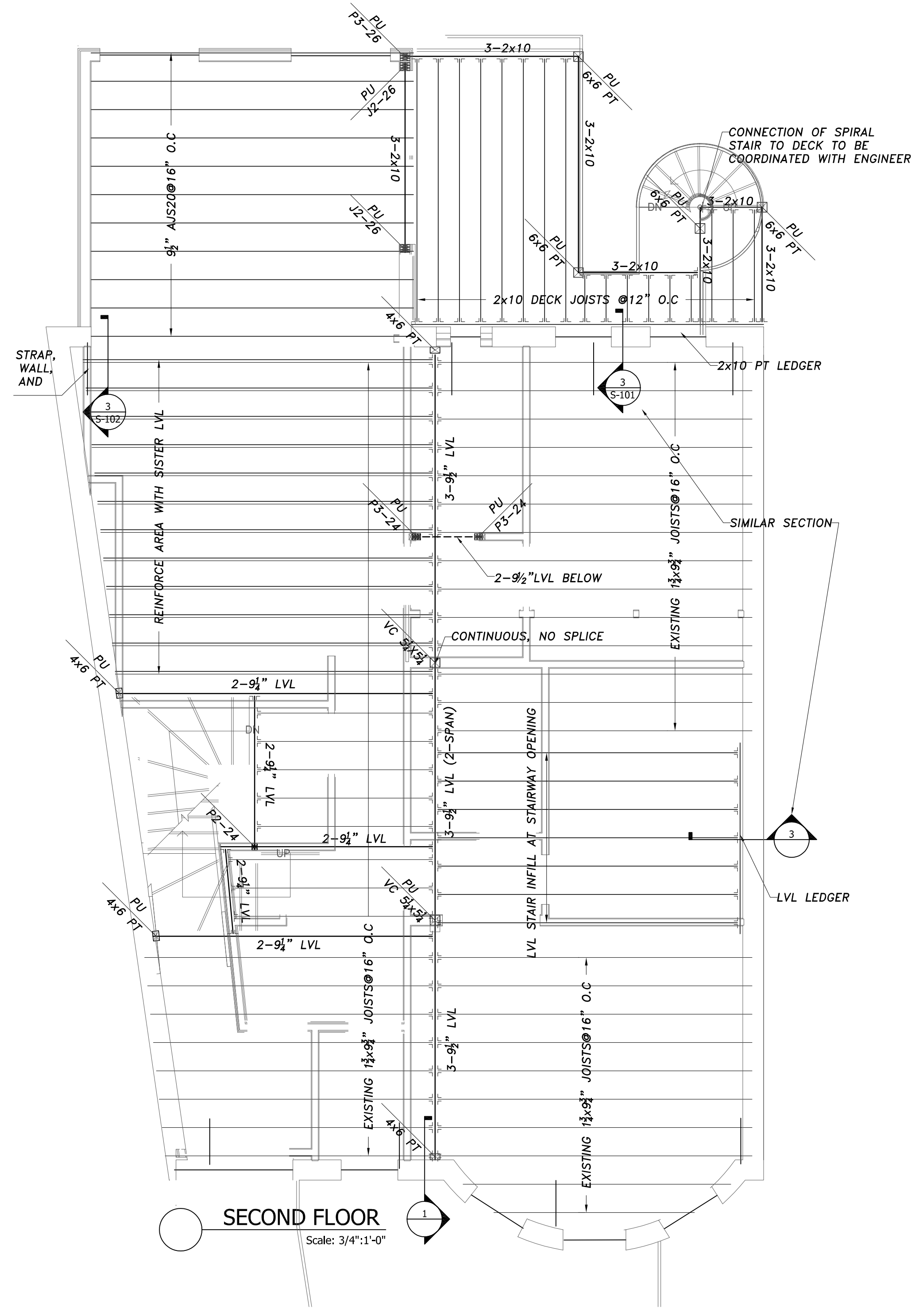
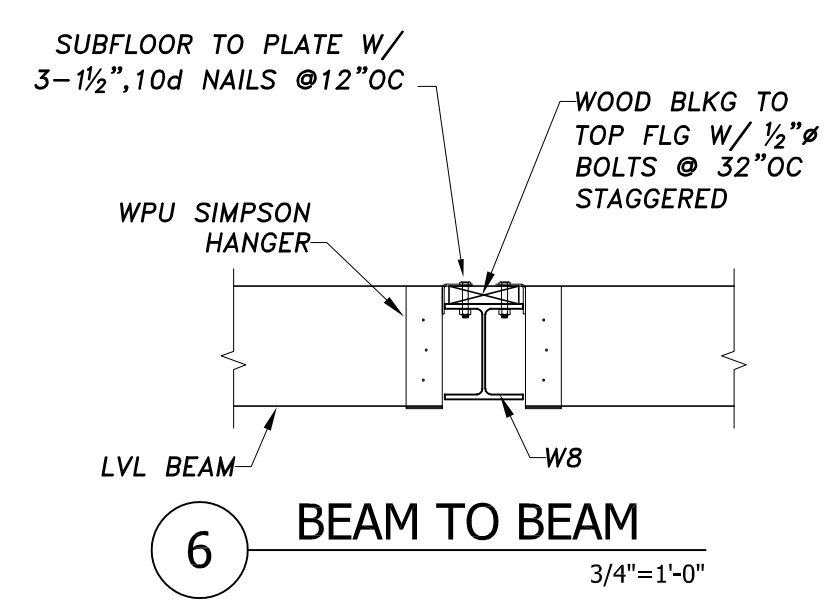
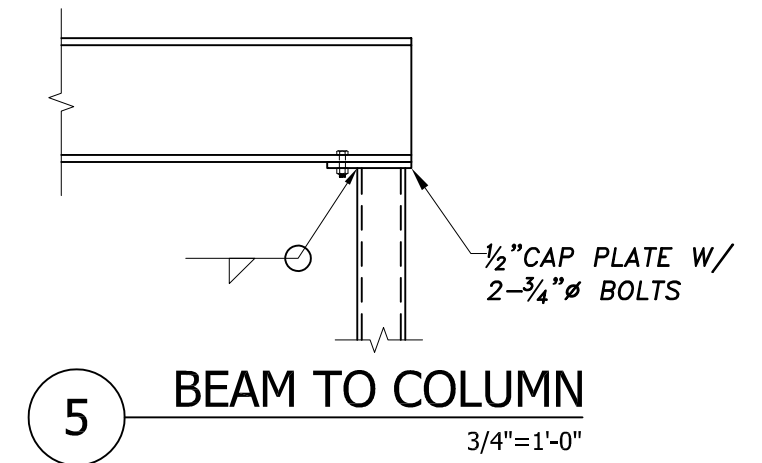
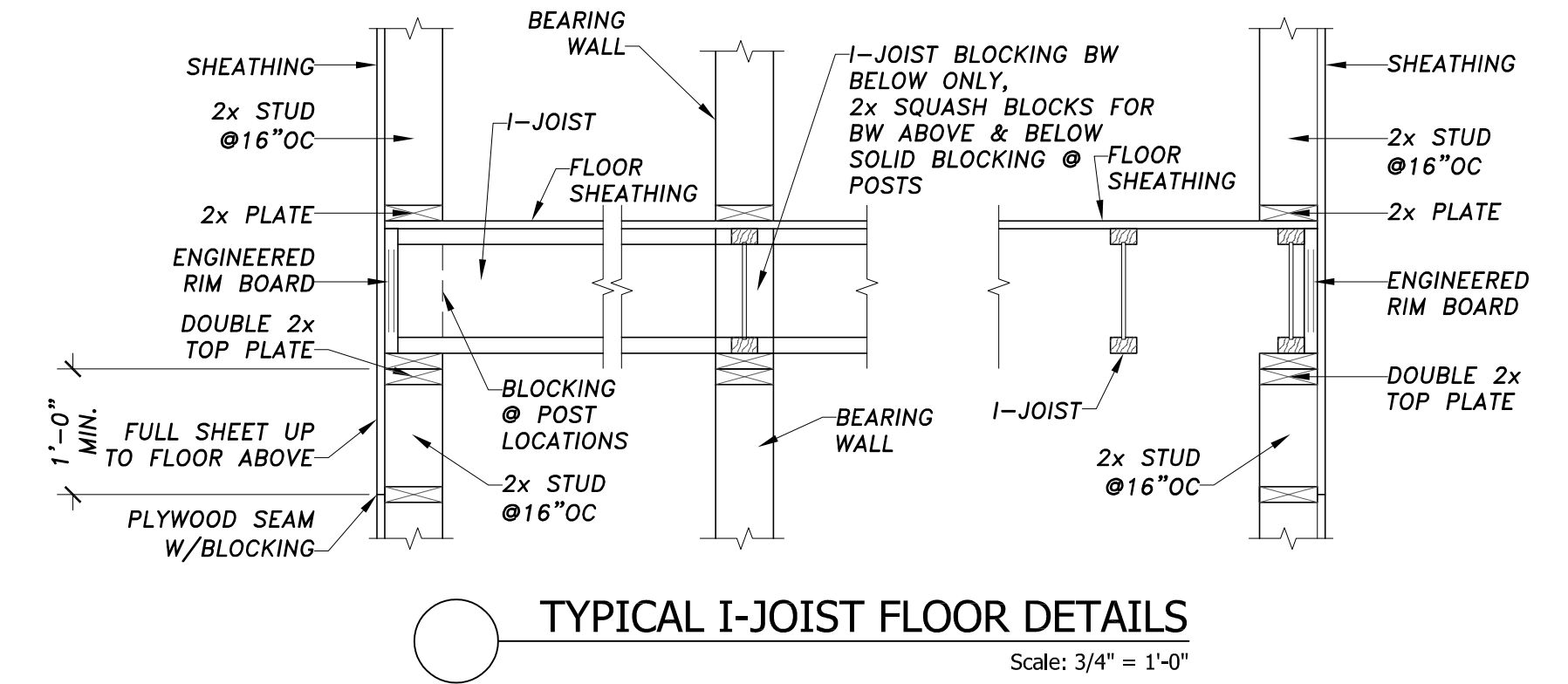
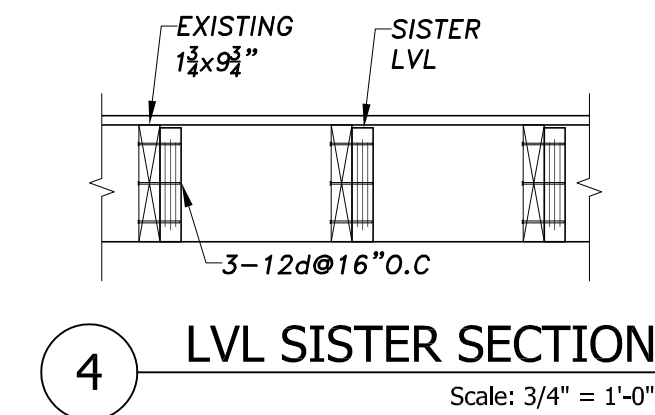
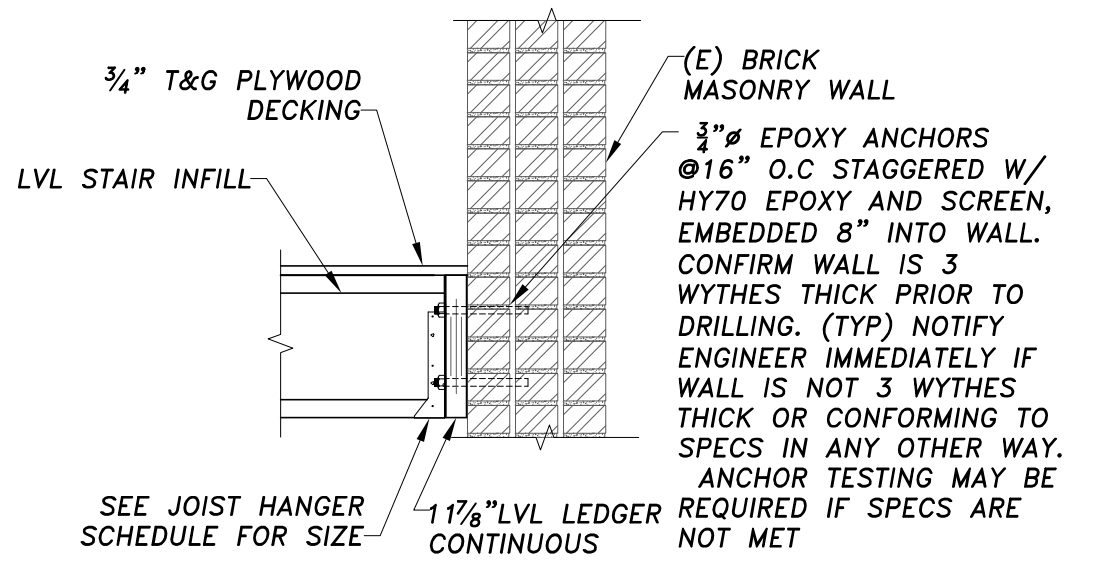
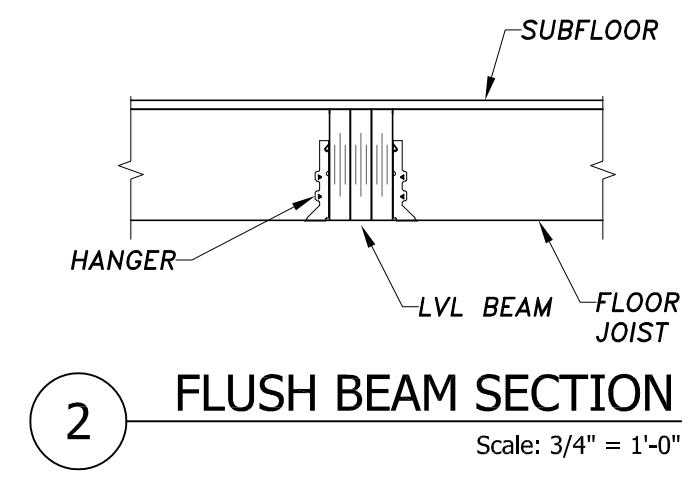
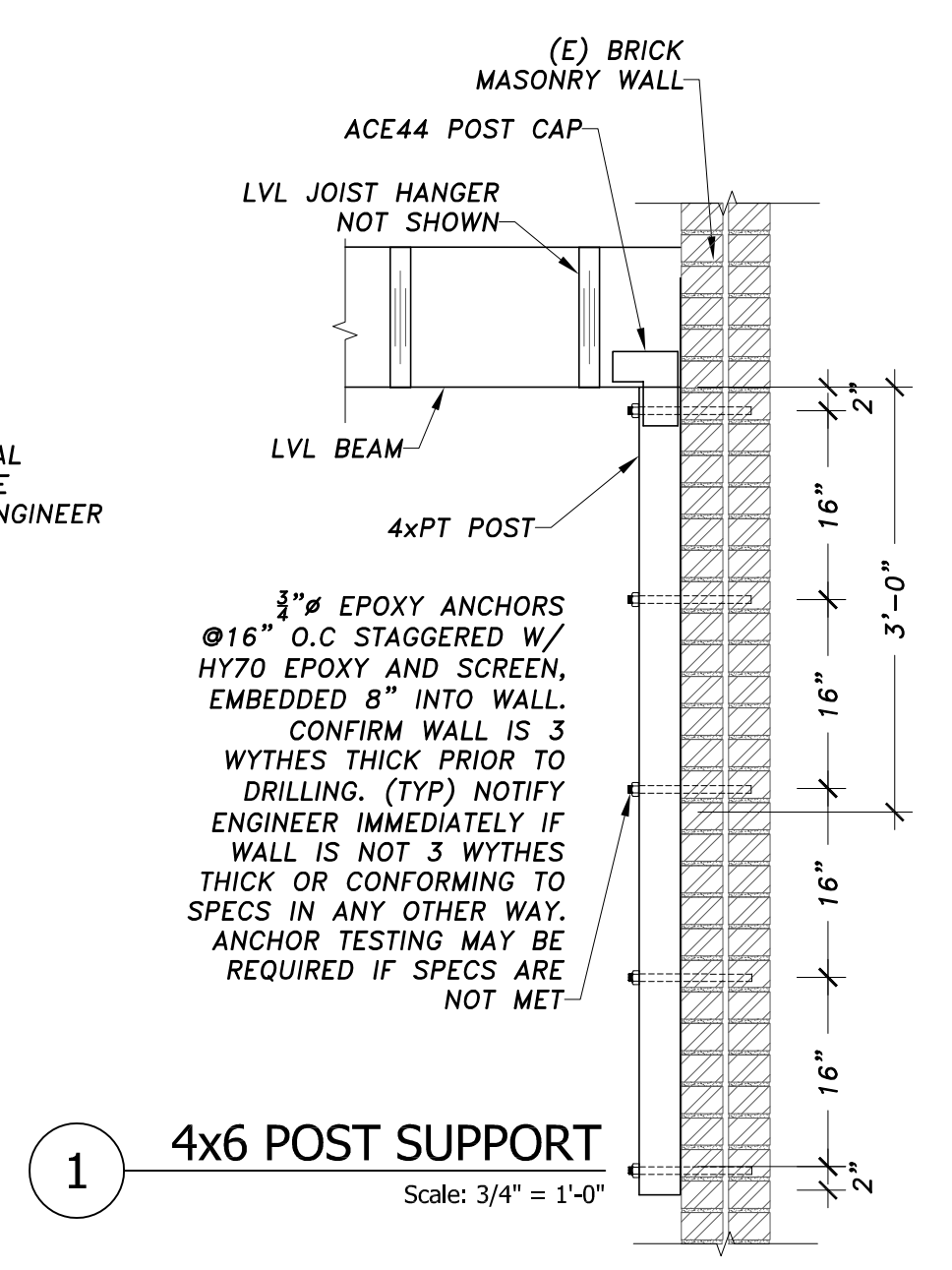
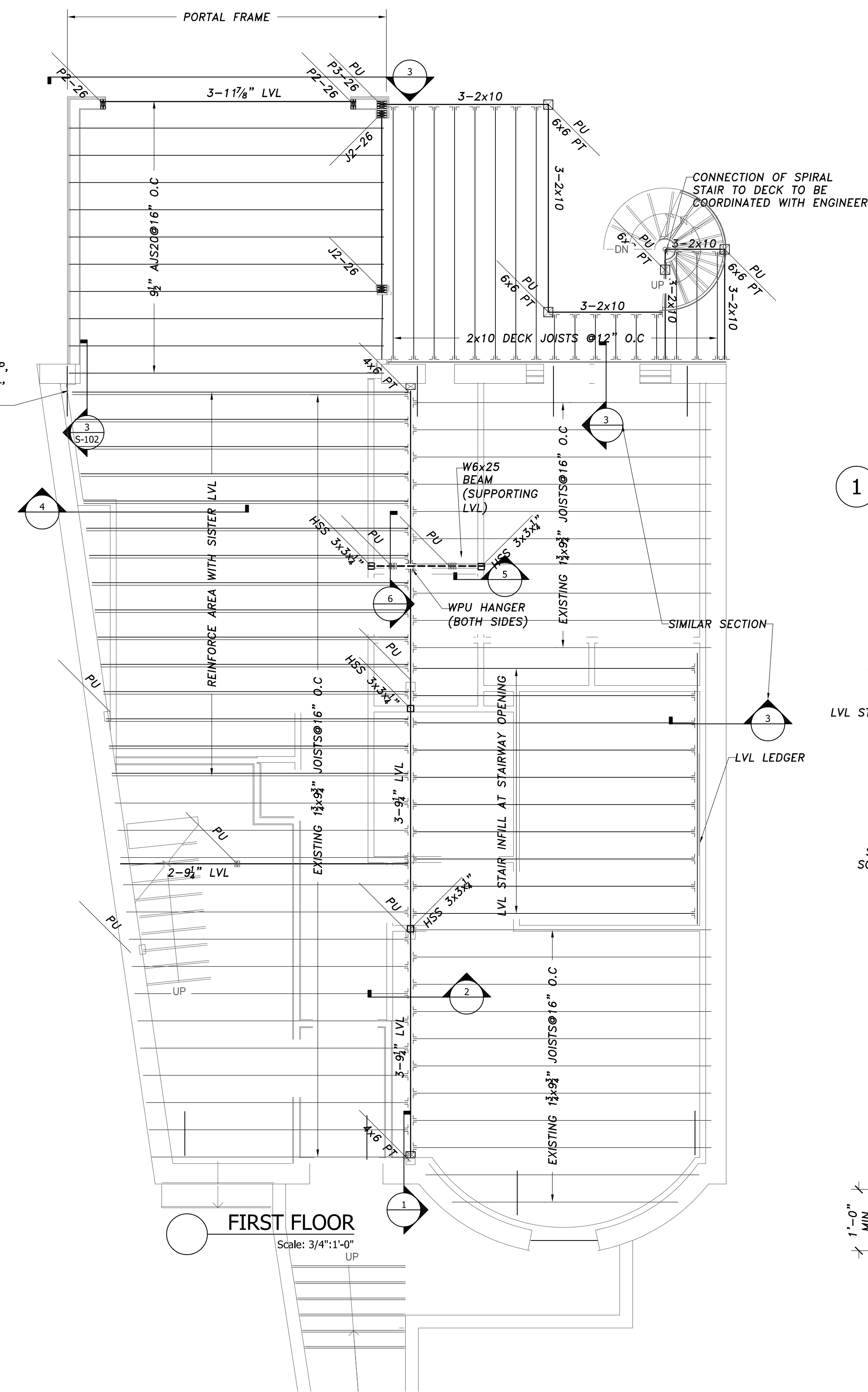
5 PORCH DETAIL
 Scale: 3/4"=1'-0"



4 PORTAL FRAME DETAILS
 3/4"=1'-0"

LEGEND

BW	= BEARING WALL
FVP	= FLAT VALLEY PLATE
(E)	= EXISTING
(N)	= NEW
TBR	= TO BE REMOVED
POST LOCATION	POST UP (ABOVE LINE) / POST DOWN (BELOW LINE)
DIM. LUMBER POST	NUMBER OF STUDS
P3-26	SIZE OF STUD
	TYPE OF POST:
P	-POST, J-JACK, ENGINEERED POST
LC	3/8" SIZE
	TYPE OF POST:
VC	-VERSA COLUMN, LC-LALLY COLUMN, HSS-TUBE STEEL



LEGEND

BW = BEARING WALL
FVP = FLAT VALLEY PLATE
(E) = EXISTING
(N) = NEW
TBR = TO BE REMOVED

POST LOCATION (POST UP ABOVE LINE) (POST DOWN BELOW LINE)

DIM. LUMBER POST NUMBER OF STUDS
P3-26 SIZE OF STUD
TYPE OF POST: P-POST, J-JACK, ENGINEERED POST
LC 3/8" SIZE
TYPE OF POST: VC-VERSA COLUMN, LC-LALLY COLUMN, HSS-TUBE STEEL

