

FOUNDATION PLAN
1/4"=1'-0"

FOUNDATION NOTES:
1. ALL FOUNDATION DIMENSIONS AND ELEVATIONS TO BE VERIFIED WITH SITE CONDITIONS AND ARCHITECTURAL DRAWINGS

FOOTING SCHEDULE

FOOTING ID TAG	FOOTING SIZE	REINFORCING
F2	2'-0" x 2'-0" x 12" THICK	(3) #4 E.W. BOT.
F3	3'-0" x 3'-0" x 12" THICK	(4) #5 E.W. BOT.

ALL DIMENSIONS, ELEVATIONS, SHELVES, BEAM POCKETS, CUT-OUTS, UNDERGROUND UTILITIES, PIERS, FOOTINGS, SLABS, AND ALL OTHER ITEMS SHALL BE FULLY COORDINATED WITH CIVIL, GEOTECHNICAL, MECHANICAL, ARCHITECTURAL AND ALL OTHER TRADES' DRAWINGS PRIOR TO CONSTRUCTION.

LEGEND

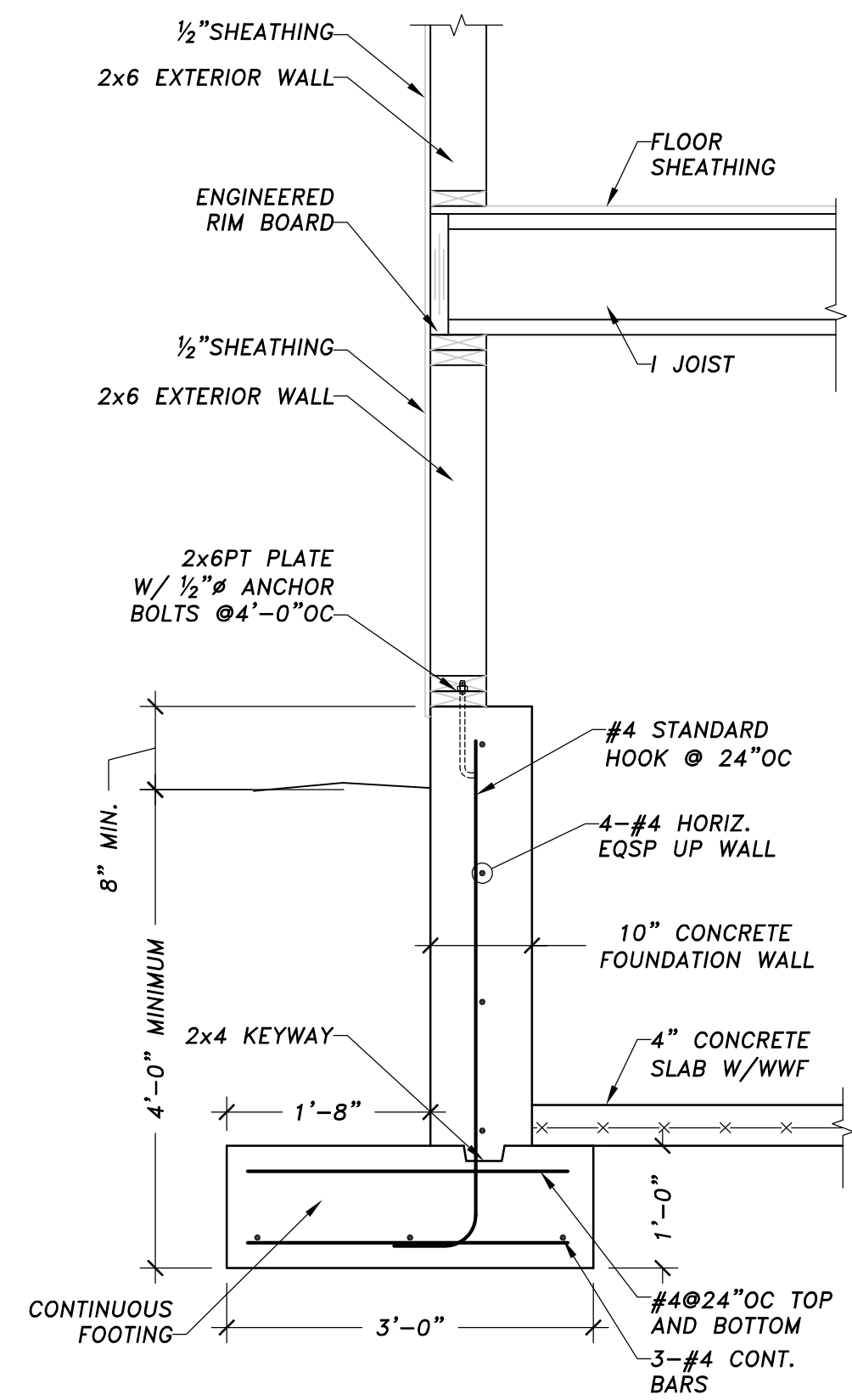
BW = BEARING WALL
FVP = FLAT VALLEY PLATE
(E) = EXISTING

(PJ) POST ABOVE FRAMING LEVEL
POST BELOW FRAMING LEVEL

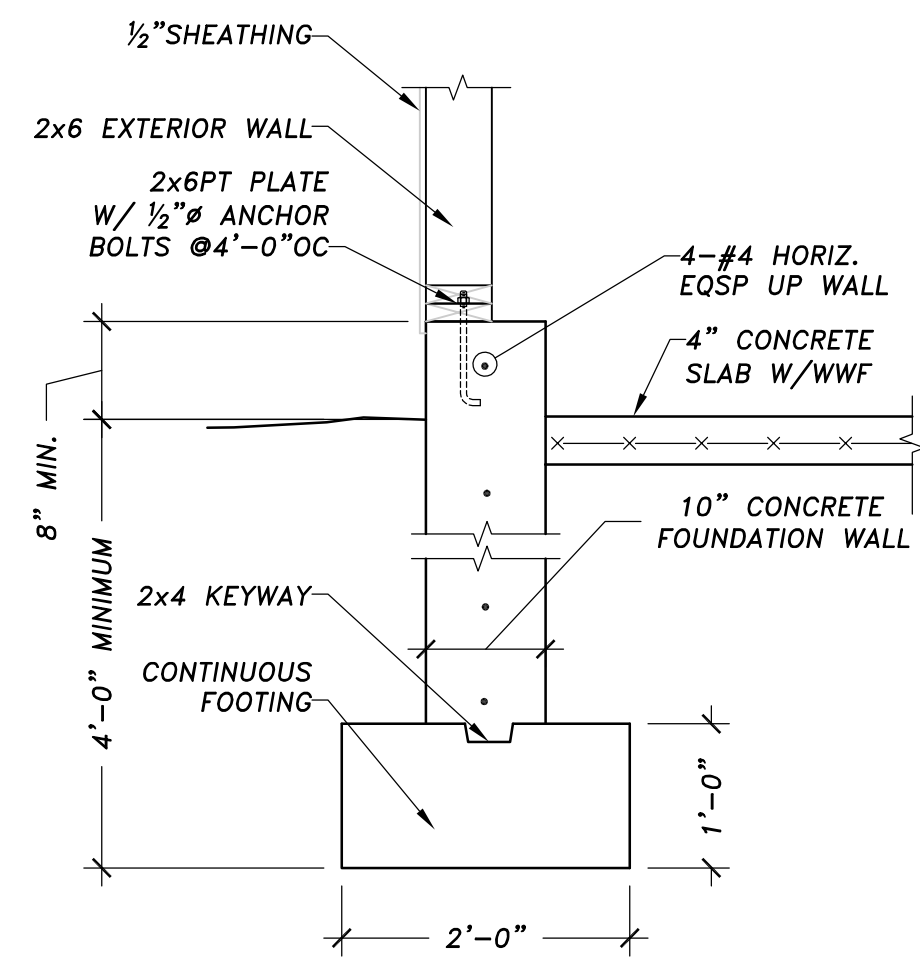
NUMBER OF STUDS IF APPLICABLE

P3-26
SIZE OF STUD OR DIMENSION OF SOLID POST

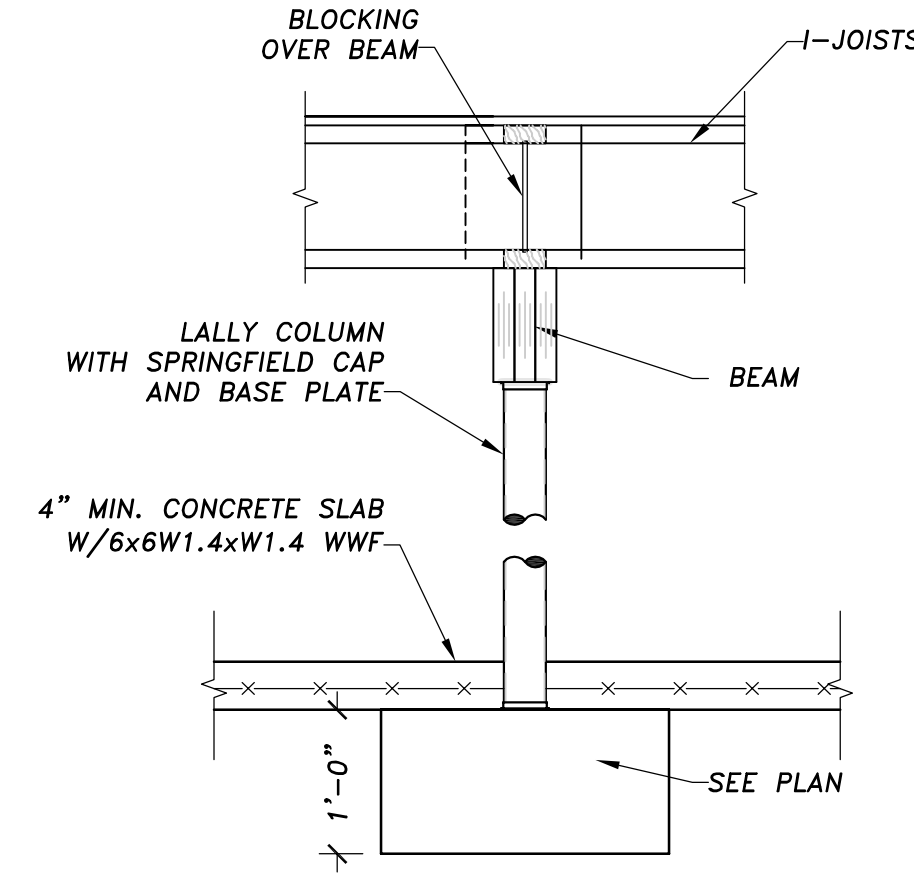
TYPE OF POST:
P-POST, J-JACK, VC-VERSA COLUMN, LC-LALLY COLUMN, HSS-HOLLOW STRUCTURAL SECTION



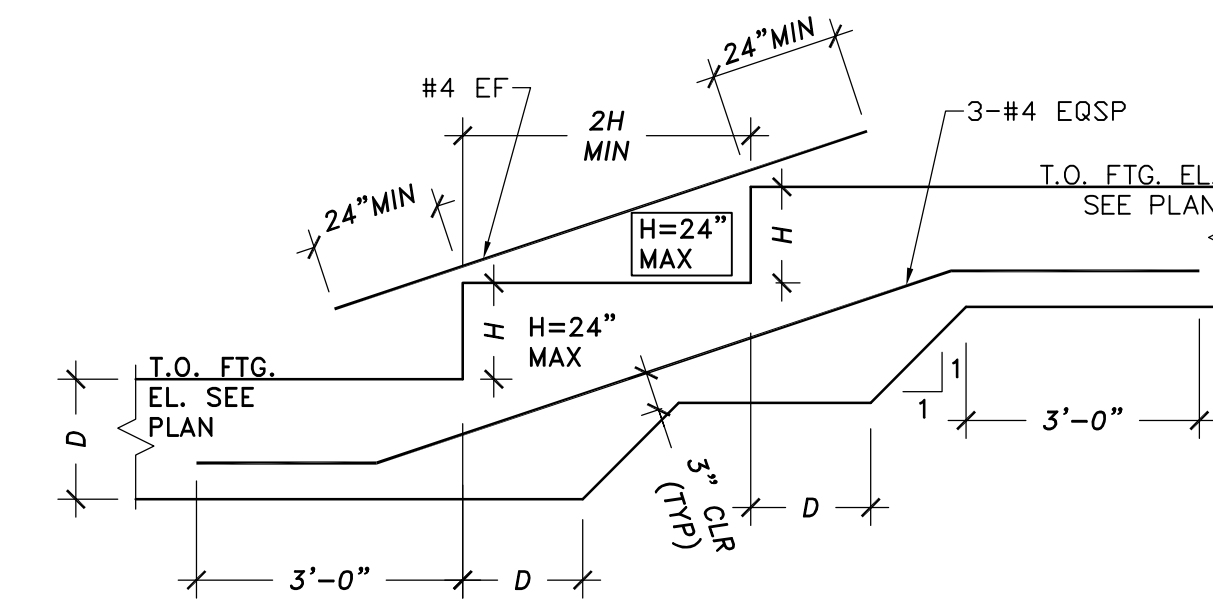
1 FOUNDATION DETAIL
Scale: 3/4" = 1'-0"



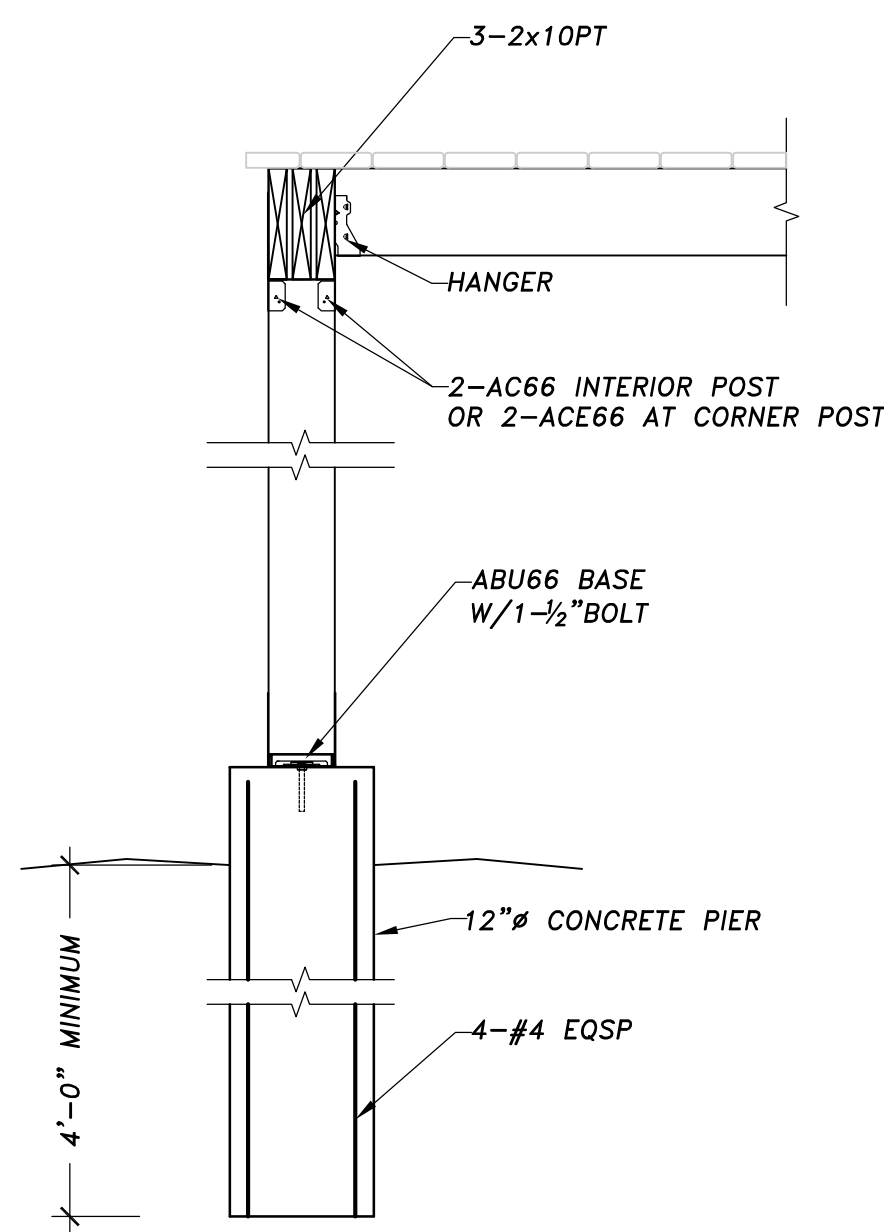
2 FROSTWALL DETAIL
Scale: 3/4" = 1'-0"



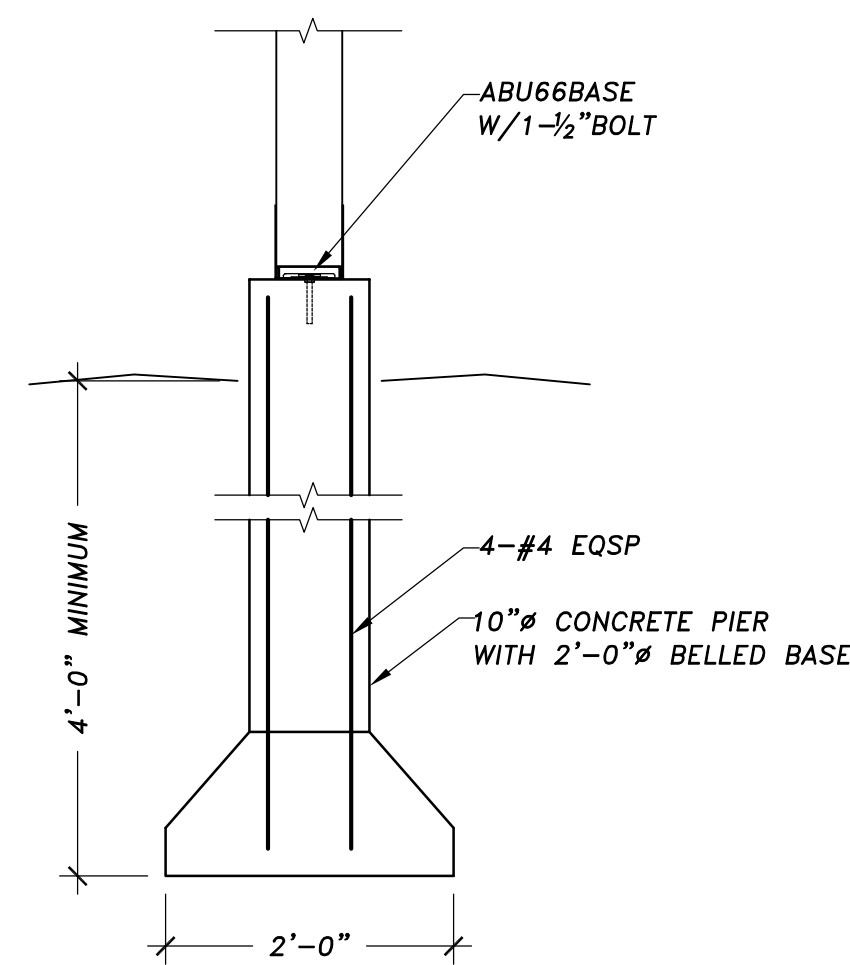
3 LALLY COL. DETAIL
Scale: 3/4" = 1'-0"



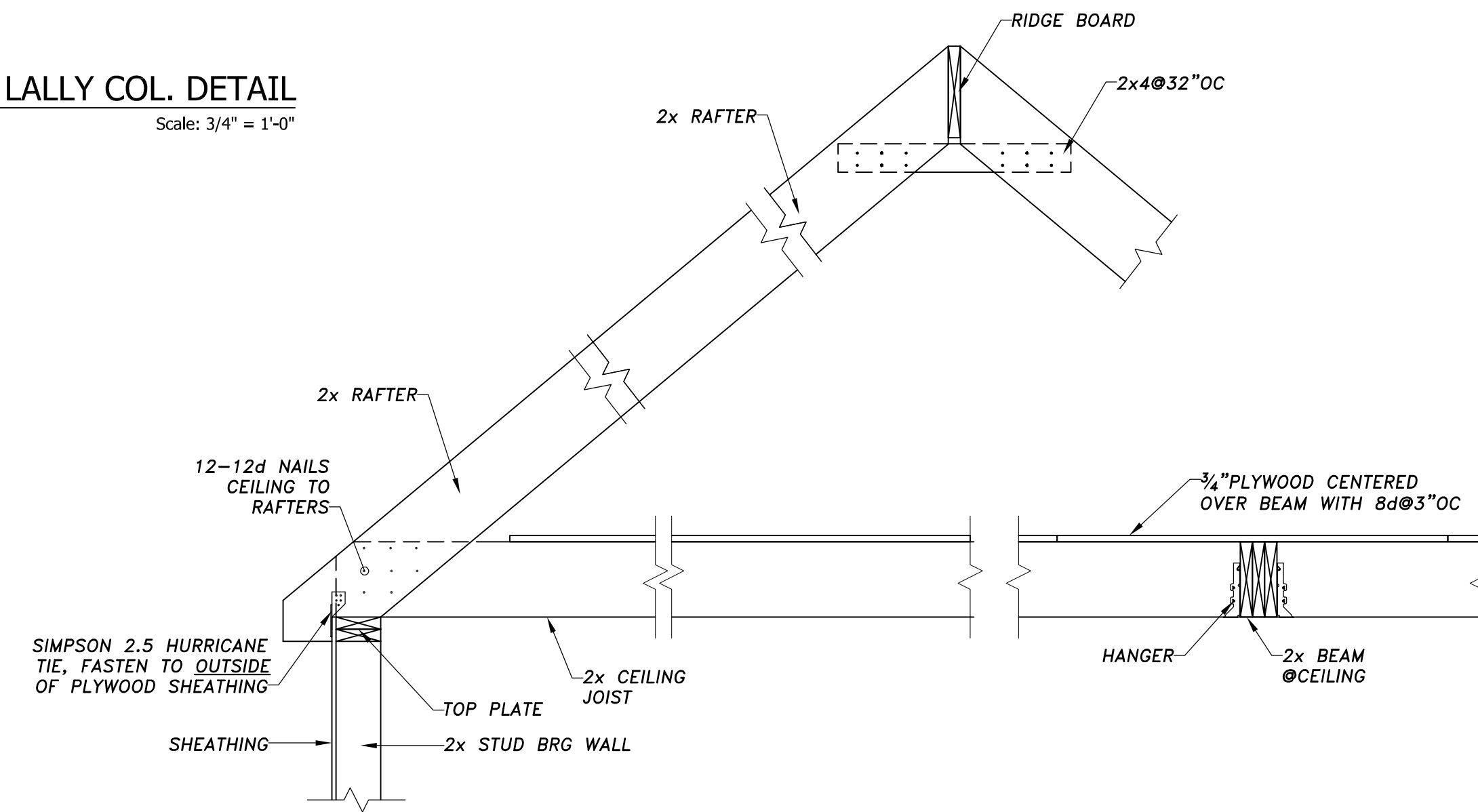
4 STEP FOOTING
Scale: 3/4" = 1'-0"



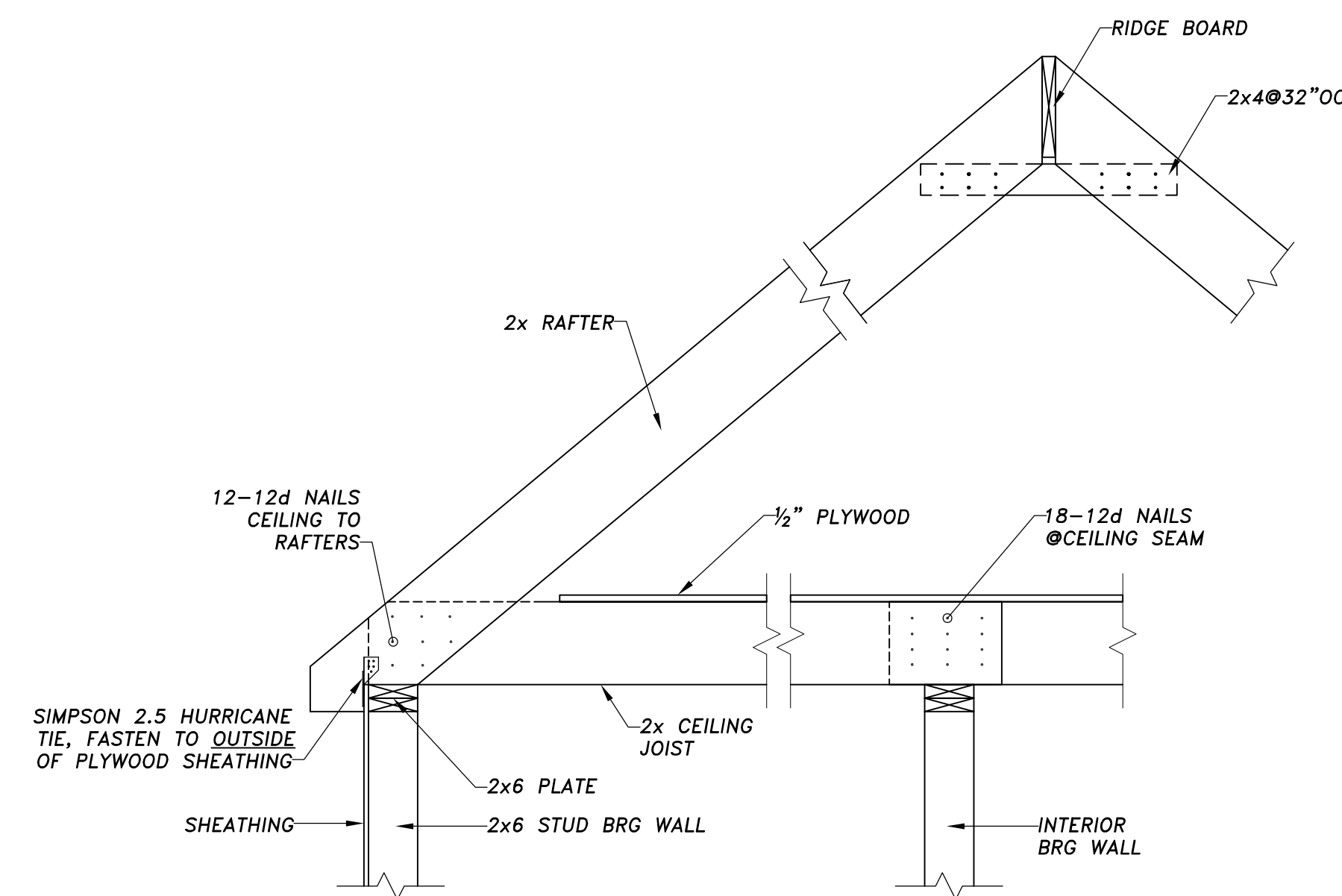
5 PORCH DETAIL
Scale: 3/4" = 1'-0"



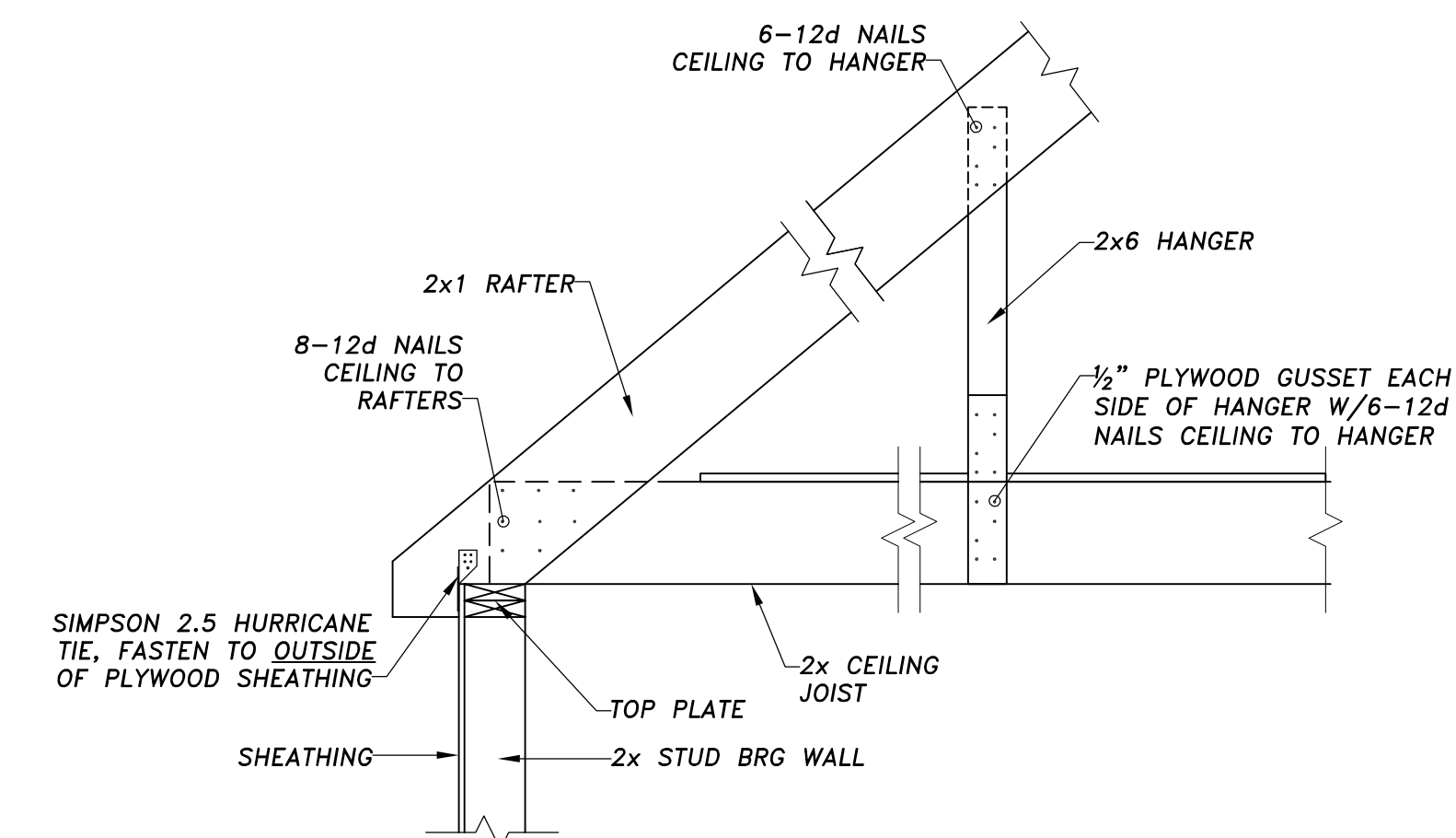
6 REPLACEMENT POST DETAIL
Scale: 3/4" = 1'-0"



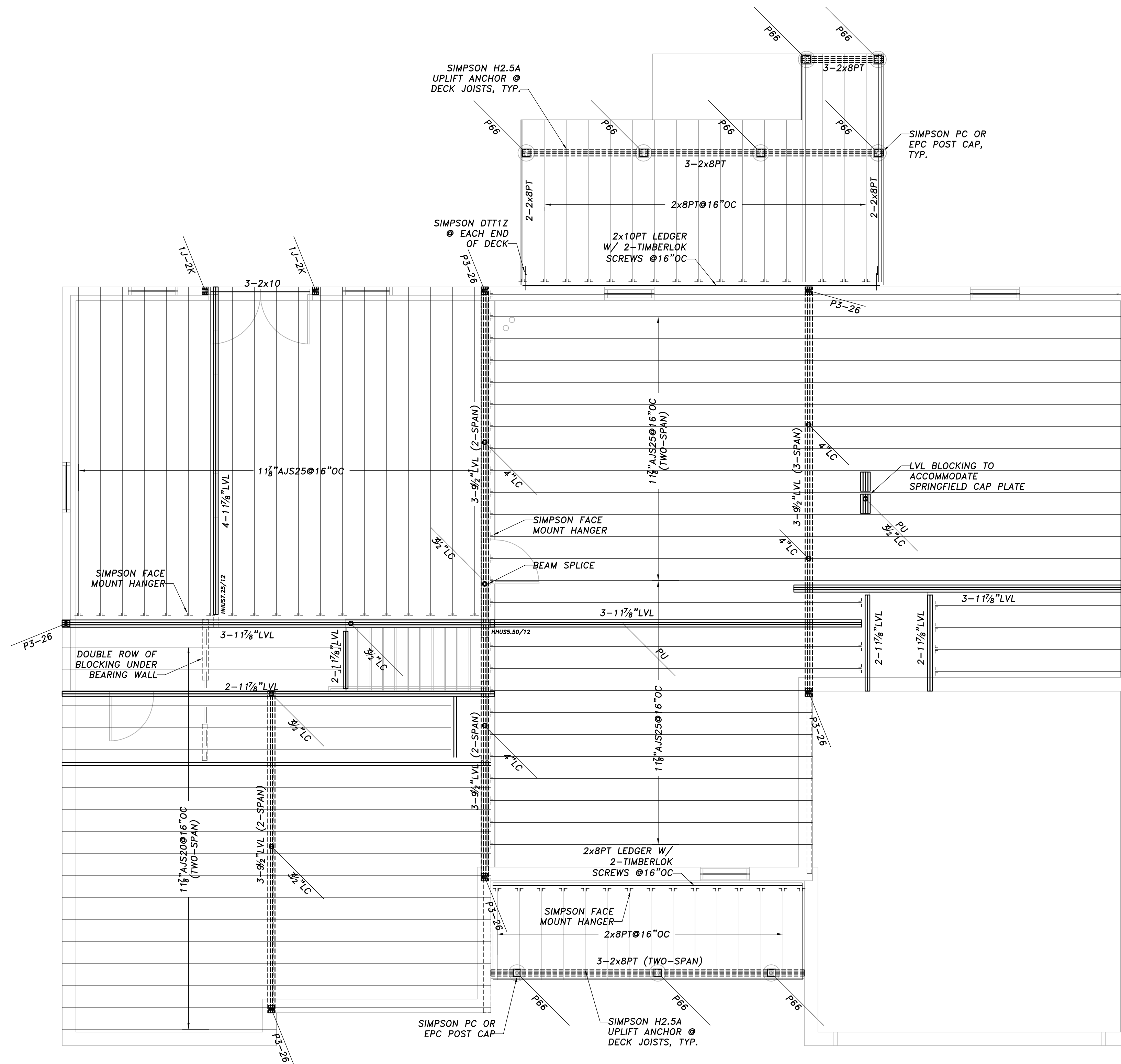
7 SECTION THROUGH ROOF
Scale: 3/4" = 1'-0"



8 SECTION THROUGH ROOF
Scale: 3/4" = 1'-0"



9 SECTION THROUGH ROOF
Scale: 3/4" = 1'-0"



A FIRST FLOOR FRAMING PLAN
1/4" = 1'-0"

NOTES:
 1. ALL INDIVIDUAL LVLS ARE 1 1/2" THICK UNLESS NOTED OTHERWISE ON PLAN.
 2. BEAMS COMPRISED OF 3 LVLS OR MORE SHALL BE BOLTED TOGETHER WITH A MINIMUM OF 2-1/2" BOLTS AT 16" ON CENTER OR 3-1/4" DIAMETER SELF TAPPING LAG SCREWS AT 16" ON CENTER, ALTERNATING INSERTION SIDES, FOLLOW MANUF. SPECS, UNLESS NOTED OTHERWISE ON DRAWING.

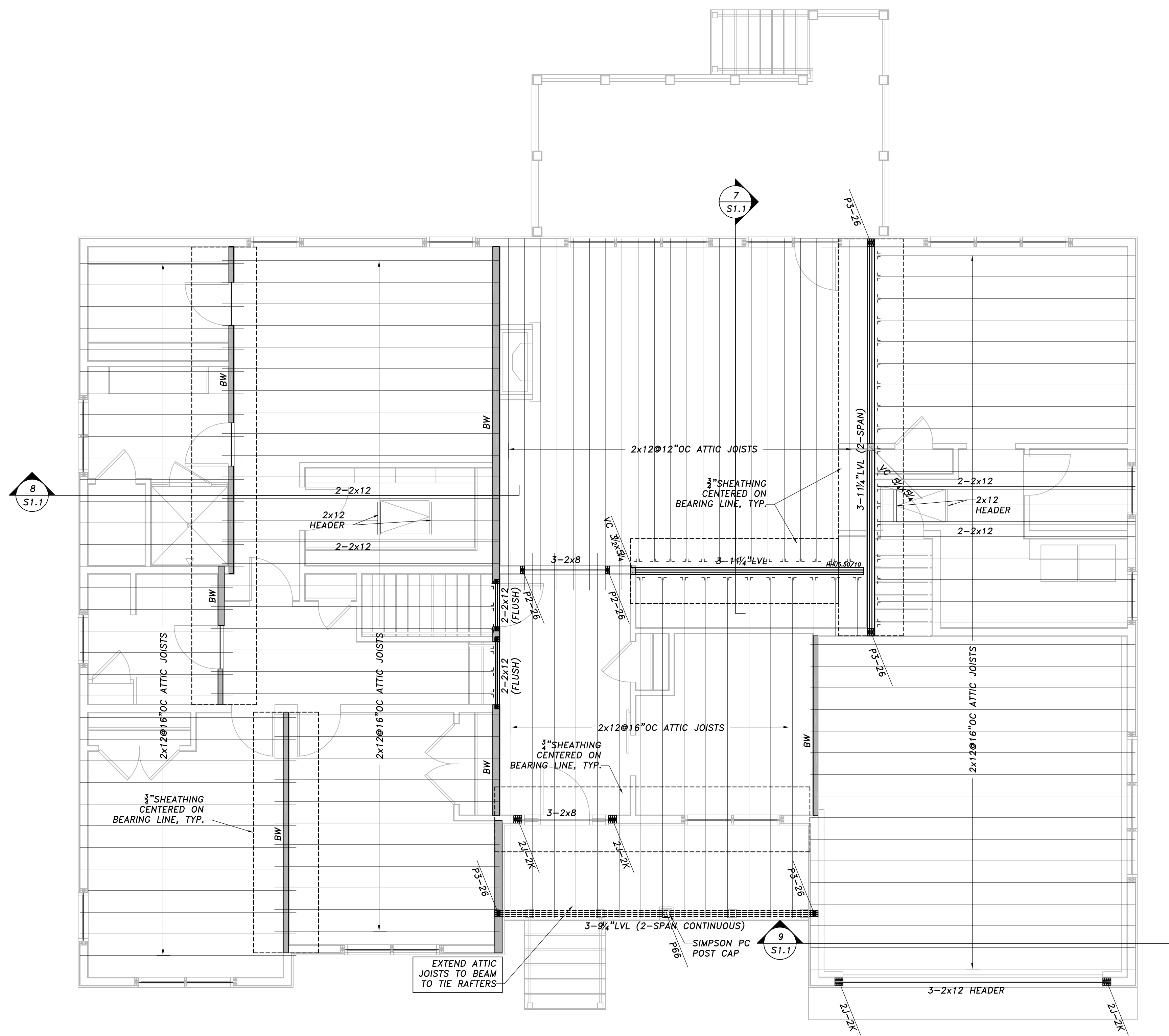
LEGEND

BW = BEARING WALL
 FVP = FLAT VALLEY PLATE
 (E) = EXISTING

(PJ) POST ABOVE FRAMING LEVEL
 POST BELOW FRAMING LEVEL

— NUMBER OF STUDS IF APPLICABLE
 P3-26 — SIZE OF STUD OR DIMENSION OF SOLID POST

— TYPE OF POST:
 P-POST, J-JACK, VC-VERSA
 COLUMN, LC-LALLY COLUMN,
 HSS-HOLLOW STRUCTURAL
 SECTION



ATTIC FRAMING
1/4"=1'-0"

- NOTES:**
1. ALL INDIVIDUAL LVLS ARE 1 1/4" THICK UNLESS NOTED OTHERWISE ON PLAN.
 2. PROVIDE SIMPSON H2.5 HURRICANE TIES CONNECTING EACH RAFTER TO STRUCTURE BELOW. TIE TO BE PLACED OVER THE OUTSIDE WALL SHEATHING.
 3. HEADERS ARE AS FOLLOWS UNLESS NOTED OTHERWISE:
 4. BEAMS COMPRISED OF 3 LVLS OR MORE SHALL BE BOLTED TOGETHER WITH A MINIMUM OF 2-1/2" BOLTS AT 16" ON CENTER OR 3-1/2" DIAMETER SELF TAPPING LAG SCREWS AT 16" ON CENTER, ALTERNATING INSERTION SIDES, FOLLOW MANUF. SPECS, UNLESS NOTED OTHERWISE ON DRAWING.
 5. BW DENOTES BEARING WALLS CONSISTING OF 2x6@16"OC. SEE FRAMING NOTES FOR HORIZ. BRACING.

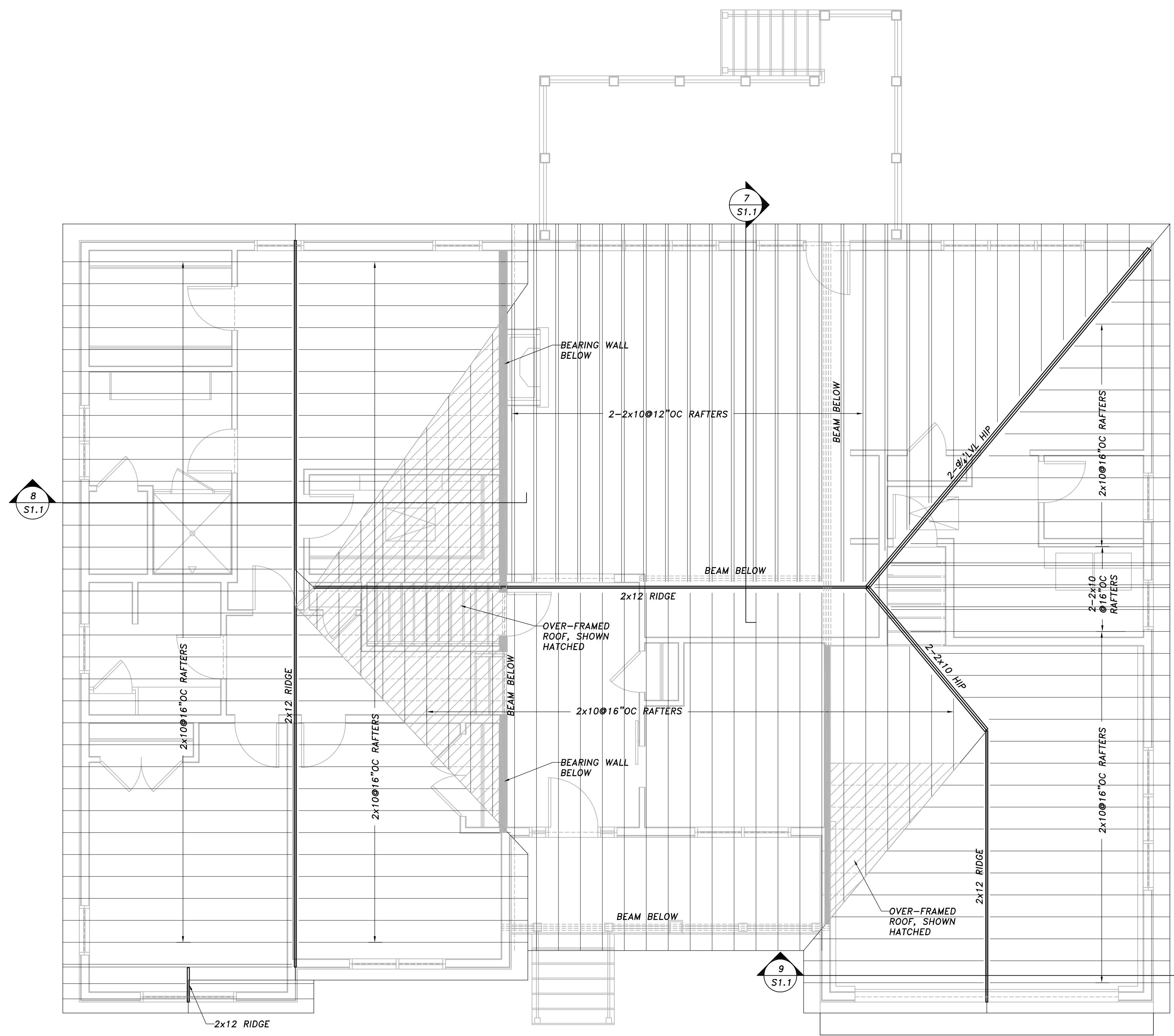
LEGEND

BW = BEARING WALL
 FVP = FLAT VALLEY PLATE
 (E) = EXISTING

(PJ) POST ABOVE FRAMING LEVEL
 (E) POST BELOW FRAMING LEVEL

— NUMBER OF STUDS IF APPLICABLE
 P3-26
 — SIZE OF STUD OR DIMENSION OF SOLID POST

— TYPE OF POST:
 P-POST, J-JACK, VC-VERSA COLUMN, LC-LALLY COLUMN, HSS-HOLLOW STRUCTURAL SECTION



A ROOF FRAMING
1/4"=1'-0"

G.C. NOTE:
ANY RAFTER LONGER THAN 20'-0"
SHALL BE 2-2x10 RAFTER@12"OC

- NOTES:
1. ALL INDIVIDUAL LVLS ARE 1 3/4" THICK UNLESS NOTED OTHERWISE ON PLAN.
 2. ALL CEILING TO RAFTER CONNECTIONS TO BE MADE W/ A MINIMUM OF 8-12d NAILS UNLESS NOTED OTHERWISE.
 3. PROVIDE SIMPSON H2.5 HURRICANE TIES CONNECTING EACH RAFTER TO STRUCTURE BELOW. TIE TO BE PLACED OVER THE OUTSIDE WALL SHEATHING.
 4. EXTEND PLYWOOD SHEATHING UNDER ENTIRE OVER FRAMED AREA.
 5. BEAMS COMPRISED OF 3 LVLS OR MORE SHALL BE BOLTED TOGETHER WITH A MINIMUM OF 2-1/2"Ø BOLTS AT 16" ON CENTER OR 3-1/2"Ø DIAMETER SELF TAPPING LAG SCREWS AT 16" ON CENTER, ALTERNATING INSERTION SIDES, FOLLOW MANUF. SPECS, UNLESS NOTED OTHERWISE ON DRAWING.
 6. BW DENOTES BEARING WALLS CONSISTING OF 2x6@16"OC. SEE FRAMING NOTES FOR HORIZ. BRACING.

LEGEND

BW = BEARING WALL
FVP = FLAT VALLEY PLATE
(E) = EXISTING

(PJ) POST ABOVE FRAMING LEVEL
□ POST BELOW FRAMING LEVEL

NUMBER OF STUDS IF APPLICABLE
P3-26

SIZE OF STUD OR DIMENSION OF SOLID POST

TYPE OF POST:
P-POST, J-JACK, VC-VERSA
COLUMN, LC-LALLY COLUMN,
HSS-HOLLOW STRUCTURAL
SECTION